



ORDINANCE NUMBER 25-317

ADOPTION OF DELTA CITY CONSTRUCTION STANDARDS

AN ORDINANCE ADOPTION OF THE MANUAL OF STANDARD SPECIFICATIONS AND DELTA CITY STANDARD DRAWINGS AS CONSTRUCTION STANDARDS.

The City Council of the City of Delta, Utah (referred to herein as the "City Council"), recites the following as the basis for enacting this Ordinance.

WHEREAS, the Manual of Standard Specifications and the accompanying Standard Drawings are a set of guidelines and requirements adopted by Delta City for the design, construction, installation, and development of structures and amenities associated with land uses as well as the infrastructure associated with those land uses; and

WHEREAS, §10-9a-501 of Utah State Code (as amended) authorizes a legislative body to weigh policy considerations and to enact land use regulations; and

WHEREAS, pursuant to §10-8-84 of Utah State Code (as amended) the legislative body may pass all ordinances and rules, and make all regulations, not repugnant to law, necessary for carrying into effect or discharging all powers and duties conferred by this chapter, and as are necessary and proper to provide for the safety and preserve the health, and promote the prosperity, improve the morals, peace and good order, comfort, and convenience of the municipality and its inhabitants, and for the protection of property in the municipality; and

WHEREAS, §10-9a-212 of Utah State Code (as amended) requires a municipality to hold a public hearing; mail a notice thirty (30) days or more before the date of the public hearing to each person who has submitted a land use application for which the land use authority has not issued a land use decision and each person who makes a written request to receive a copy of the notice; and allow each person who receives a notice to provide public comment in writing before the public hearing or in person during the public hearing before implementing an amendment to adopted specifications for public improvements that apply to a subdivision or a development.

WHEREAS, the Manual of Standard Specifications and the accompanying Standard Drawings will be referenced in the Delta City code as section 18.72.160 MANUAL OF STANDARD SPECIFICATIONS and section 18.72.160 DELTA CITY STANDARD DRAWINGS.

NOW, THEREFORE, BE IT ORDAINED by the City Council of the City of Delta, Utah:

Section 1. **Repeal of Conflicting Ordinances.** To the extent that any ordinance, resolutions or policies of the City of Delta conflict with the provisions of this ordinance, it is hereby amended to be in accordance with the provisions hereof.

Section 2. **Adoption of Manual of Standard Specifications.** The Manual of Standard Specifications and Delta City Standard Drawings as set forth in Exhibit A which is attached to and incorporated in this ordinance.

Section 3. **Addition to Delta City Code.** The Manual of Standard Specifications and Delta City Standard Drawings will be referenced in the Delta City code as section 18.72.160 and section 18.72.160 as set forth in Exhibit B which is attached to and incorporated in this ordinance.

Section 4. **Severability.** If any section, subsection, sentence, clause, or phrase of this ordinance is declared invalid or unconstitutional by a court of competent jurisdiction, said portion shall be severed and such declaration shall not affect the validity of the remainder of this ordinance.

PASSED AND ADOPTED by the City Council of the City of Delta, State of Utah on the 16th day of July, 2025 by the following Vote:

	Aye	Nay	Abstain	Absent
Kelly Carter	<u> </u>	<u> </u>	<u> </u>	<u> X </u>
KC Bogue	<u> X </u>	<u> </u>	<u> </u>	<u> </u>
Kiley J. Chase	<u> </u>	<u> </u>	<u> </u>	<u> X </u>
Nicholas W. Killpack	<u> X </u>	<u> </u>	<u> </u>	<u> </u>
Betty Jo Western	<u> X </u>	<u> </u>	<u> </u>	<u> </u>

John Niles
 JOHN W. NILES
 MAYOR

Sherril Westbrook
 SHERRIL WESTBROOK
 CITY RECORDER



EXHIBIT A

1.1 Specifications

DELTA CITY CONSTRUCTION STANDARDS

The following standards shall apply to the design and construction of public works improvements for subdivisions and other developments within Delta City Limits.

A. The 2017 edition of the Manual of Standard Specifications published by the Utah Chapter of the American Public Works Association (APWA) (found at the following URL: <https://utah.apwa.org/education/utah-standard-plans-specifications/>) with the following modifications:

1. Current amendments published by the Utah Chapter of the APWA.
2. References to OWNER shall mean Delta City and references to ENGINEER shall mean Delta City's engineer.
3. Modify Section 01 35 10 – Acceptance as follows:
 - a. Article 1.3 Acceptance – add paragraph E as follows: Acceptance testing will govern over quality control testing performed by CONTRACTOR. Acceptance testing does not relieve CONTRACTOR of responsibility for providing adequate quality control measures.
4. Modify Section 26 29 13 – Motor Controller as follows:
 - a. Article 1.1 Section Includes, paragraph B – add subparagraph 5 as follows: Variable-frequency drives.
 - b. Part 2 Products – add article 2.7 as follows:

2.7 Variable-Frequency Drives

 - A. Variable-frequency drive (VFD), single-phase or three-phase, to adequately start and run motor.
 - B. Provide main breaker, motor overload protection, over-voltage protection, and surge protection.
 - C. Provide Hand-Off-Auto selector switch on cover with green pilot light for run indicator. VFD shall be programmed for all desired pump controls.
 - D. Provide adequate ventilation for VFD case.
5. Modify Section 32 12 05 – Asphalt Concrete as follows:
 - a. Article 2.1 – Paving Asphalt – delete paragraph A and replace with the following:
 - A. Performance Graded Asphalt Binder (PGAB):
 1. Binder in accordance with Section 32 12 03.
 - b. Article 2.4 – Mix Design, paragraph A, - delete subparagraph 1. and replace with the following:
 - A. Mix Design:
 1. PG 64-34 or PG 58-28: All pavements.
6. Delete Section 33 05 03 – Copper Pipe.
7. Delete Section 33 05 05 – Ductile Iron Pipe.
8. Modify Section 33 05 06 – Polyethylene Pipe as follows:
 - a. Article 2.1 Smooth Wall Pipe Systems – add paragraph E as follows:

- E. High density polyethylene pipe, in accordance with NSF-14 and AWWA C901.
 - 1. Iron Pipe Size: ASTM D2239, ¾-inch, and 1-inch services.
 - 2. Copper Pipe Size: ASTM D2737, 1-1/2-inch and 2-inch services.
 - 3. Working Pressure: 200 pounds per square inch.
 - 4. Color: Blue.
 - 5. Fittings: Brass, insta-tite fittings.
- 9. Modify Section 33 05 07 – Polyvinyl Chloride Pipe as follows:
 - a. Article 2.1 Pressure Pipe Systems, paragraph A – delete and replace with the following: Pipe: Conform to AWWA C900, pressure class 235 psi, DR 18.
- 10. Modify Section 33 05 20 – Backfilling Trenches as follows:
 - a. Article 2.1 Backfill Materials – add paragraph E as follows: If native material obtained from excavations is unsuitable for bedding or pipe zone materials and if trench bottom is unsuitable to support pipe, import granular borrow.
 - b. Article 3.8 Tolerances, paragraph A – delete paragraph A and replace with the following:
 - A. Compaction: Percentage or greater relative to a standard or modified proctor density according to the following parameters:
 - 1. Proctor Type:
 - a. A-1 soils: Use Modified Proctor Density.
 - b. Other soils: Use Standard Proctor Density.
 - 2. Compaction Percentage:
 - a. 96 percent or greater for bedding and pipe zone materials.
 - b. 96 percent for backfill of trenches in traveled areas.
 - c. 90 percent for backfill of trenches in non-traveled areas.
- 11. Modify Section 33 05 23.35 – Trenchless Utility Installation as follows:
 - a. Add Article 2.4 Casing Spacers with paragraph A as follows:
 - A. Casing Spacers: polyethylene, 8 inches minimum lengths and heights as needed to fit casing.
 - b. Article 3.4 Pipe Support in Casing Tunnel, paragraph A – delete and replace with the following:
 - A. Install casing spacers per manufacturer’s recommendations and as follows:
 - 1. Place casing spacers on each side of pipe joint with distance not to exceed 2 feet.
 - 2. Place casing spacers at intervals not to exceed 8 feet.
 - c. Article 3.4 Pipe Support in Casing Tunnel, paragraph B – delete and replace with the following:
 - B. Install cover over end of casing to prevent backfill material from entering casing.
- 12. Modify Section 33 11 00 – Water Distribution and Transmission as follows:
 - a. Article 1.3 Performance Requirements, paragraph A – delete subparagraphs 1 and 2 and replace with the following:
 - A. Depth of Cover:
 - 1. Main Lines: 40 inches minimum.
 - 2. Service lines: All service lines shall be placed with 40 inches minimum cover at connection with main line. Depth of 40 inches

minimum shall be maintained under travelled way. Service line may be shallower outside of travel way as it approaches water meter.

3. Water meters shall be placed at a depth of 24 inches.
 - b. Article 2.8 Accessories, paragraph A – add the following: In areas with high water table, use stainless steel bolts and nuts and wrap in plastic.
 - c. Article 2.8 Accessories – add paragraph I as follows:
 - I. Tracer Wire: 14 AWG solid, Type UF, copper conductor with PVC insulation, suitable for direct burial and rated for 600 volts. Blue colored insulation to meet color code standard for identification of buried utilities. For splices, use direct bury, waterproof wire connector.
 - d. Article 3.4 Installation – Pipe and Fitting – add paragraph I as follows:
 - I. Tracer Wire: Install tracer wire continuously below spring line of pipe. Install tracer wire with PVC main lines, PVC fire hydrant lines and polyethylene service lines. Wrap tracer wire around fire hydrant above ground, extend loop to top of valve boxes, and wrap around meter setter. Where there is existing tracer wire, connect new tracer wire to existing tracer wire. If splices are required, make watertight connections.
 - e. Article 3.8 Installation – Taps – add paragraph G as follows:
 - G. In areas with high water table, use stainless steel bolts and nuts and wrap in plastic.
13. Modify Section 33 12 16 – Water Valves as follows:
- a. Article 2.1 Valves – General – add paragraph I as follows:
 - I. In areas with high water table, provide stainless steel bolts for bolts and wrap in plastic on valves exposed to soil.
14. Modify Section 33 12 19 – Hydrants as follows:
- a. Article 2.1 Dry-Barrel Fire Hydrant, paragraph B – add subparagraph 11 as follows:
 1. In areas with high water table, provide stainless steel bolts and nuts and wrap in plastic for bolts on hydrants exposed to soil.
 - b. Article 2.2 Pipe and Fittings, paragraph A – add subparagraph 1 as follows:
 1. In areas with high water table, use stainless steel bolts and nuts and wrap in plastic.
 - c. Article 3.2 Installation – delete paragraph C and replace with the following:
 - C. Install so bottom of hydrant base flange is 4 to 6 inches above finish grade.
 - d. Article 3.2 Installation – delete paragraph F.
15. Modify Section 33 12 33 – Water Meter as follows:
- a. Article 2.3 Service Line, Valves, and Fittings, paragraph C – add the following: Provide 15-inch height with ball valve inlet and dual check valve outlet.
 - b. Article 2.3 Service Line, Valves, and Fittings – delete paragraph E and replace with the following: Provide bypass for 1.5 and 2-inch meters.
16. Modify Section 33 13 00 – Disinfection as follows:
- a. Article 3.2 Disinfection of Water Lines, paragraph D – add the following: Take sample from every 1,200 feet of pipeline and from every branch.
17. Modify Section 33 31 00 – Sanitary Sewerage Systems as follows:
- a. Article 2.3 Manholes – delete paragraph B and replace with the following:
 - B. Steps: Fiberglass or steel encased by copolymer polypropylene, placed at 12 inches on center vertically, set into manhole wall.

- b. Article 2.3 Manholes – delete paragraph C and replace with the following:
 - C. Top: Eccentric cone. Eccentric flat slab concrete deck allowed only with ENGINEER's permission.
 - c. Article 3.5 Installation – Manholes, paragraph D – replace “1/2 inch” with ¼” inch.
 - d. Article 3.11 Cleaning, add paragraph C as follows:
 - C. Upon completion of cleaning CONTRACTOR shall use camera or mandrel to verify that all debris, concrete, sand, gravel, and other extraneous material has been removed from all sewer piping and structures. Cleaning shall not be approved unless OWNER or ENGINEER is present during visual inspection and verifies compliance.
18. Modify Section 33 41 00 – Storm Drainage Systems as follows:
- a. Article 2.5 Manholes – delete paragraph B and replace with the following:
 - B. Steps: Fiberglass or steel encased by copolymer polypropylene, placed at 12 inches on center vertically, set into manhole wall.
 - b. Article 2.5 Manholes – delete paragraph C and replace with the following:
 - C. Top: Eccentric cone. Eccentric flat slab concrete deck allowed only with ENGINEER's permission.
 - c. Article 2.6 Inlets and Catch Basins, paragraph B – add subparagraph 3 as follows:
Provide bicycle safe grate.

C. Current (2017) edition of the Manual of Standard Plans published by the Utah Chapter of the American Public Works Association (APWA) with the following modifications:

- 1. Current amendments published by the Utah Chapter of the APWA.
- 2. Delete Plan No. 211 and 213. Refer to supplemental drawing SD-01.
- 3. Delete Plan No. 255 and 256. Refer to supplemental drawings ST-03 and ST-04.
- 4. Delete Plan No. 522, 523, 525, and 529.
- 5. Plan No. 710 through 742; – these plans are superseded by and supplemental to Rocky Mountain Power requirements.

D. Delta City Standard Drawings (DCC 18.72.170):

- 1. In case of contradiction between APWA and Delta City Standard Drawings, adhere to the Delta City Standard Drawings.

E. Guidance for Selection of Construction Materials – The following is a list of typical construction materials for public works projects. This list is not comprehensive. Projects may vary in scope, and engineering judgment should be used to select materials for construction. Consult with Delta City's staff and engineer during project design.

1. Plant-Mix Asphalt Paving:
 - a. Asphalt: Use PG64-34 or PG 58-28 grade asphalt.
 - b. Aggregate: Maximum gradation shall be $DM \frac{1}{2}$ or $DM \frac{3}{8}$.
 - c. Mix Design: Superpave Method.
2. Chip Seal:
 - a. Chips: Type II Chip Seal
 - b. Oil: LMCRS-2 or PMRE
 - c. Flush Coat: CSS-1
3. Sewer:
 - a. Main Lines and Service Lines: PVC
 - b. Manholes: Precast Concrete
 - i. Maximum 350 feet spacing between manholes
 - ii. Eccentric Cone
4. Culinary Water:
 - a. Culinary water lines must be blue pipe
 - b. Main Lines: AWWA C900 PVC or HDPE
 - i. 8" Minimum Pipe Diameter
 - ii. Blue Pipe
 - c. Service Lines: High density polyethylene (HDPE).
 - i. $\frac{3}{4}$ " IPS Minimum Pipe Diameter
 - ii. Blue Pipe
 - d. Fire Hydrants: Kennedy or Waterous with 6" AWWA C900 PVC Connection
 - i. Water valve to be placed at foot of hydrant
 - e. Water Meter Lids: DLL2241-kit
 - f. Water Meter Rings: DLL2241-kit
 - g. Water Valves:
 - i. Placed at foot of hydrant
5. Storm Drain:
 - a. Storm Drain Pipe: Black corrugated HDPE, concrete
 - b. Inlet and Junction Structures: Cast-in-place or precast concrete
 - c. Manholes: Precast concrete
 - i. Eccentric Cone
 - d. Culverts: Black corrugated HDPE

INDEX TO SHEETS

SHEET No.	SHEET TITLE
ST-101	TYPICAL SECTION - MAJOR COLLECTOR
ST-102	TYPICAL SECTION - 60' ROW WIDTH
ST-103	TYPICAL SECTION - LOCAL ROADS
ST-111	CUL-DE-SAC
ST-112	TEMPORARY TURNAROUND (AT END OF SUBDIVISION)
ST-113	STREET INTERSECTION AND UTILITY LOCATION
ST-121	CURB & GUTTER
ST-122	CURB & GUTTER TAPERED END
ST-123	CONCRETE CROSS GUTTER
ST-131	CONCRETE SIDEWALK AGAINST CURB
ST-132	DRIVE DEPRESSION & TRANSITION
ST-134	CORNER CURB RAMP NO PLANTER STRIP
ST-135	CORNER CURB RAMP WITH PLANTER STRIP
ST-136	PERPENDICULAR CURB RAMP WITH PLANTER STRIP
ST-137	PERPENDICULAR CURB RAMP
ST-138	PARALLEL CURB RAMP
ST-139	DETECTABLE WARNING SURFACE
ST-140	CURB RAMP SLOPE TABLE
ST-151	CONCRETE JOINTS
ST-152	PAVEMENT EDGE
ST-153	EXPANSION JOINT AROUND OBJECTS
ST-161	UTILITY TRENCH
ST-162	ROADWAY REPAIR
ST-171	SIGN & POST

INDEX TO SHEETS

SHEET No.	SHEET TITLE
ST-172	SIGN & POST
ST-181	RECONSTRUCT MANHOLE
ST-182	RECONSTRUCT VALVE
ST-191	STABILIZED CONSTRUCTION ENTRANCE - COMMERCIAL
ST-192	STABILIZED CONSTRUCTION ENTRANCE - RESIDENTIAL
SW-101	SEWER MANHOLE
SW-102	SEWER DROP MANHOLE
SW-103	SEWER SERVICE CONNECTION
SW-104	SEWER CLEANOUT
SW-105	UTILITY LINE CROSSING
SD-101	OPEN FACE CURB INLET
SD-102	JUNCTION BOX
SD-103	STORM DRAIN MANHOLE
SD-104	DRY WELL
CW-101	FIRE HYDRANT
CW-102	BUTTERFLY VALVE
CW-103	GATE VALVE
CW-104	METER BOX, 1 INCH METER
CW-105	METER BOX, 1.5 - 2 INCH METER
CW-106	METER BOX, 3 - 6 INCH METER
CW-107	WATER SERVICE CONNECTION
CW-111	THRUST BLOCKS
CW-112	THRUST BLOCKS BEARING CHART
CW-113	TYPICAL RESTRAINED JOINTS
CW-114	RESTRAINED JOINTS LENGTH TABLES

NO SCALE

PREPARED BY: JONES AND DEMILLE ENGINEERING, INC.

DELTA CITY STANDARD DRAWING



DELTA CITY
76 N 200 W
DELTA, UT 84624
(435) 864-2759
delta.utah.gov

INDEX

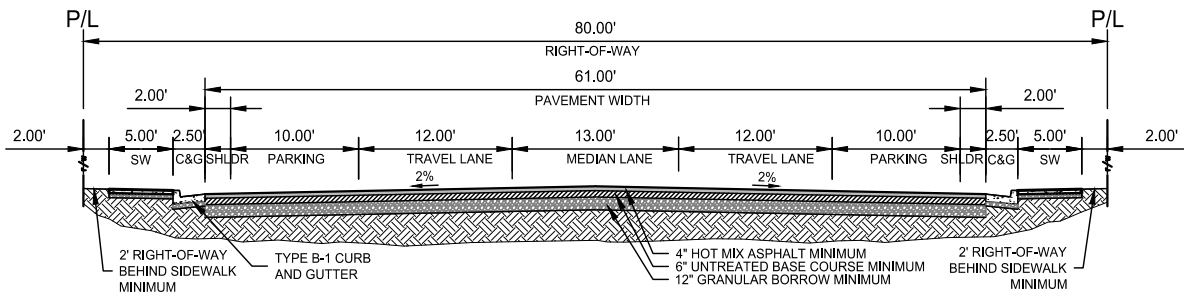
UPDATED: 3/13/2025

STANDARD DRAWING No.

INDEX

APPROVED:

DATE: -- BY: --



80' MAJOR COLLECTOR TYPICAL SECTION

NOTE:

1. DESIGN OF CURB AND GUTTER SHALL BE IN ACCORDANCE WITH DELTA CITY DESIGN AND CONSTRUCTION STANDARDS.
2. WIDTHS MAY INCREASE CONTINGENT ON PROJECT SPECIFIC REQUIREMENTS.
3. DESIGN CLEAR ZONE SHALL MEET AASHTO STANDARDS.
4. DEPTHS MAY VARY CONTINGENT ON AASHTO PAVEMENT DESIGN. ALL PAVEMENT DESIGNS SHALL BE STAMPED BY PROFESSIONAL ENGINEER.

DRAWING NOT TO SCALE

PREPARED BY: JONES AND DEMILLE ENGINEERING, INC.

DELTA CITY STANDARD DRAWING



DELTA CITY
76 N 200 W
DELTA, UT 84624
(435) 864-2759
delta.utah.gov

TYPICAL SECTION - MAJOR COLLECTOR

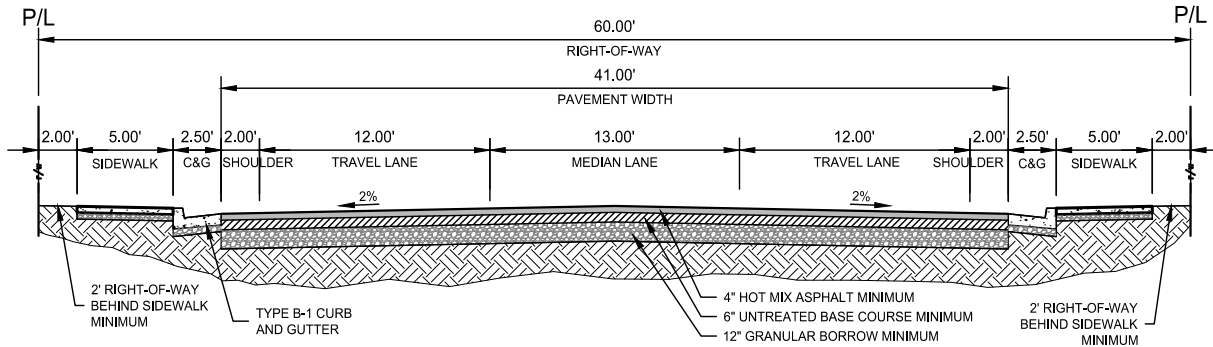
UPDATED: 3/3/2025

STANDARD DRAWING No.

ST-01

APPROVED:

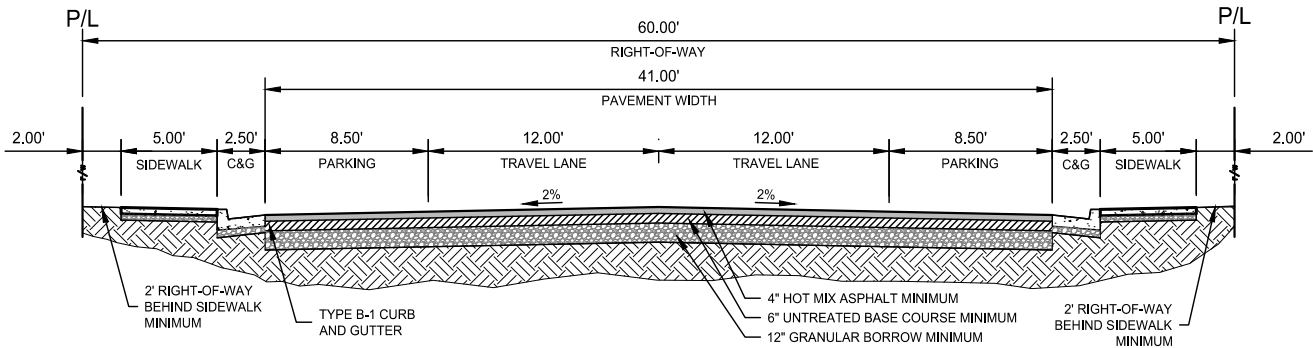
DATE: - BY: -



60' MINOR COLLECTOR TYPICAL SECTION

NOTE:

1. DESIGN OF CURB AND GUTTER SHALL BE IN ACCORDANCE WITH DELTA CITY DESIGN AND CONSTRUCTION STANDARDS.
2. WIDTHS MAY INCREASE CONTINGENT ON PROJECT SPECIFIC REQUIREMENTS.
3. DESIGN CLEAR ZONE SHALL MEET AASHTO STANDARDS.
4. DEPTHS MAY VARY CONTINGENT ON AASHTO PAVEMENT DESIGN. ALL PAVEMENT DESIGNS SHALL BE STAMPED BY PROFESSIONAL ENGINEER.



60' LOCAL ROAD TYPICAL SECTION

NOTE:

1. DESIGN OF CURB AND GUTTER SHALL BE IN ACCORDANCE WITH DELTA CITY DESIGN AND CONSTRUCTION STANDARDS.
2. WIDTHS MAY INCREASE CONTINGENT ON PROJECT SPECIFIC REQUIREMENTS.
3. DESIGN CLEAR ZONE SHALL MEET AASHTO STANDARDS.
4. DEPTHS MAY VARY CONTINGENT ON AASHTO PAVEMENT DESIGN. ALL PAVEMENT DESIGNS SHALL BE STAMPED BY PROFESSIONAL ENGINEER.

DRAWING NOT TO SCALE

PREPARED BY: JONES AND DEMILLE ENGINEERING, INC.

DELTA CITY STANDARD DRAWING



DELTA CITY
76 N 200 W
DELTA, UT 84624
(435) 864-2759
delta.utah.gov

TYPICAL SECTION - 60' ROW WIDTH

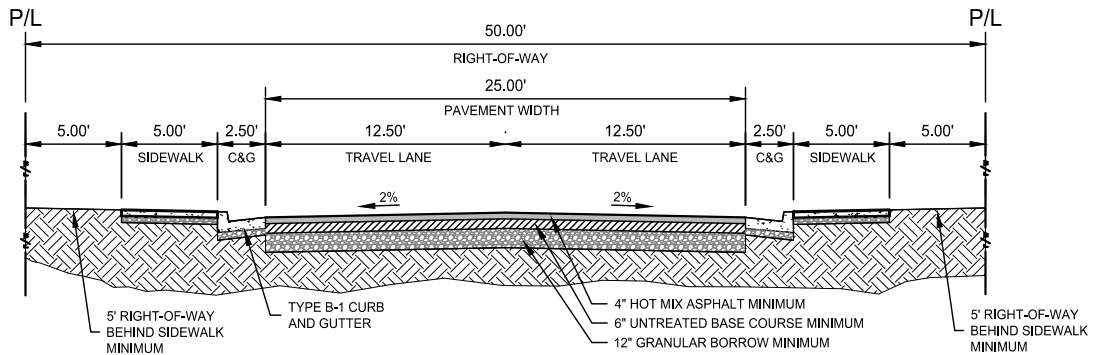
UPDATED: 3/3/2025

STANDARD DRAWING No.

ST-02

APPROVED:

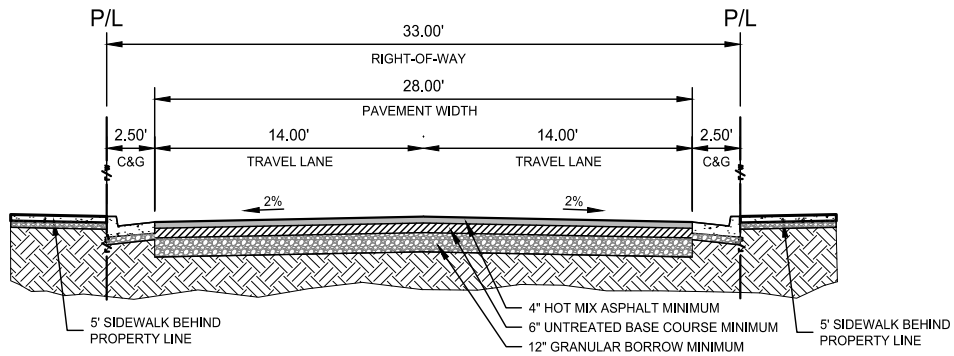
DATE: - BY: -



50' ROADWAY TYPICAL SECTION

NOTE:

1. DESIGN OF CURB AND GUTTER SHALL BE IN ACCORDANCE WITH DELTA CITY DESIGN AND CONSTRUCTION STANDARDS.
2. WIDTHS MAY INCREASE CONTINGENT ON PROJECT SPECIFIC REQUIREMENTS.
3. DESIGN CLEAR ZONE SHALL MEET AASHTO STANDARDS.
4. DEPTHS MAY VARY CONTINGENT ON AASHTO PAVEMENT DESIGN. ALL PAVEMENT DESIGNS SHALL BE STAMPED BY PROFESSIONAL ENGINEER.
5. THIS TYPICAL SECTION SHALL BE USED ONLY IN THE CASE OF EXTENDING AND/OR MATCHING AN EXISTING ROADWAY.



33' ROADWAY TYPICAL SECTION

NOTE:

1. DESIGN OF CURB AND GUTTER SHALL BE IN ACCORDANCE WITH DELTA CITY DESIGN AND CONSTRUCTION STANDARDS.
2. WIDTHS MAY INCREASE CONTINGENT ON PROJECT SPECIFIC REQUIREMENTS.
3. DESIGN CLEAR ZONE SHALL MEET AASHTO STANDARDS.
4. DEPTHS MAY VARY CONTINGENT ON AASHTO PAVEMENT DESIGN. ALL PAVEMENT DESIGNS SHALL BE STAMPED BY PROFESSIONAL ENGINEER.
5. THIS TYPICAL SECTION SHALL BE USED ONLY IN THE CASE OF EXTENDING AND/OR MATCHING AN EXISTING ROADWAY.

DRAWING NOT TO SCALE

PREPARED BY: JONES AND DEMILLE ENGINEERING, INC.

DELTA CITY STANDARD DRAWING



DELTA CITY
76 N 200 W
DELTA, UT 84624
(435) 864-2759
delta.utah.gov

TYPICAL SECTION - LOCAL ROADS

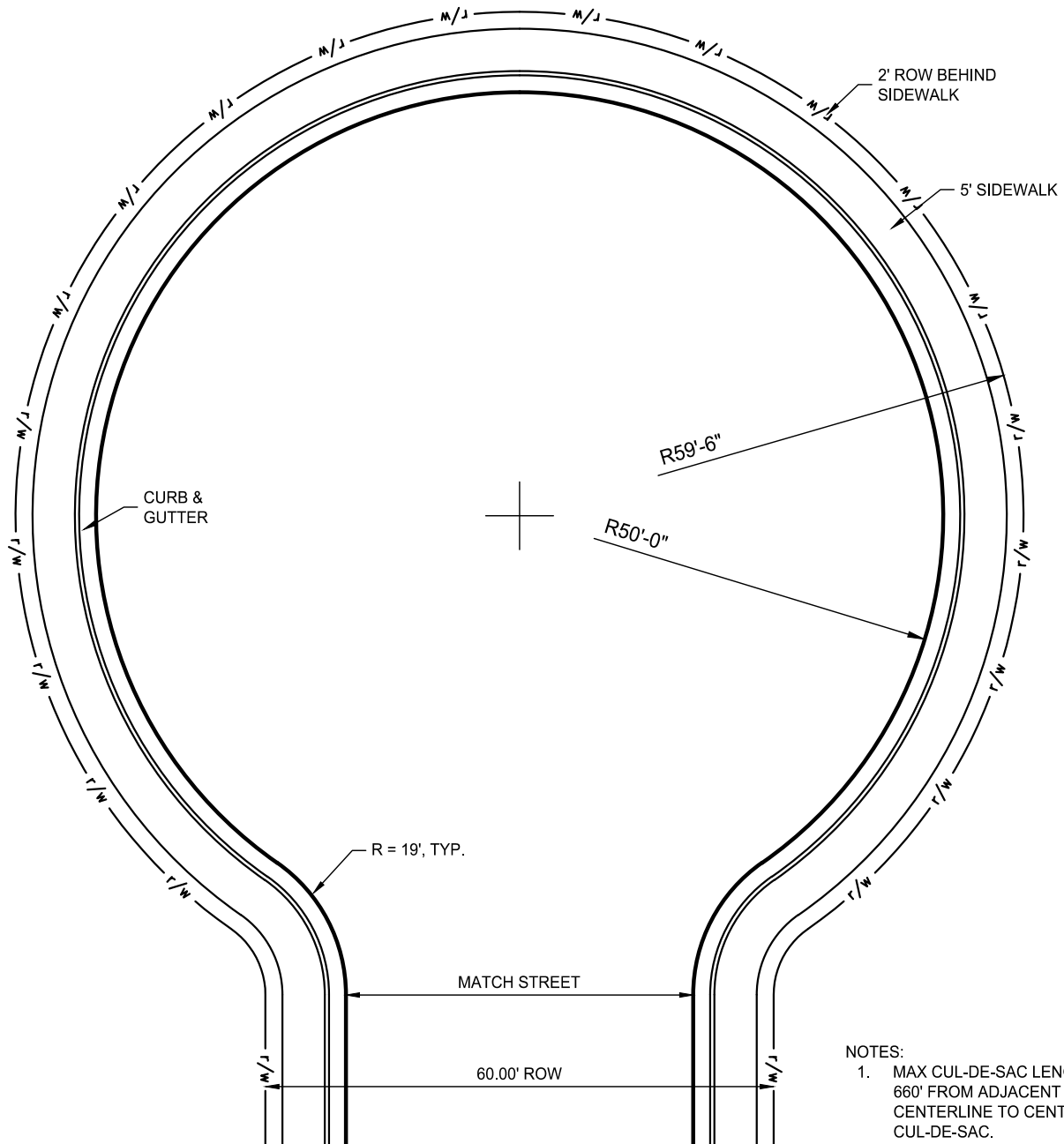
UPDATED: 3/3/2025

STANDARD DRAWING No.

ST-03

APPROVED:

DATE: - BY: -




NOTES:
 1. MAX CUL-DE-SAC LENGTH IS 660' FROM ADJACENT ROAD CENTERLINE TO CENTER OF CUL-DE-SAC.

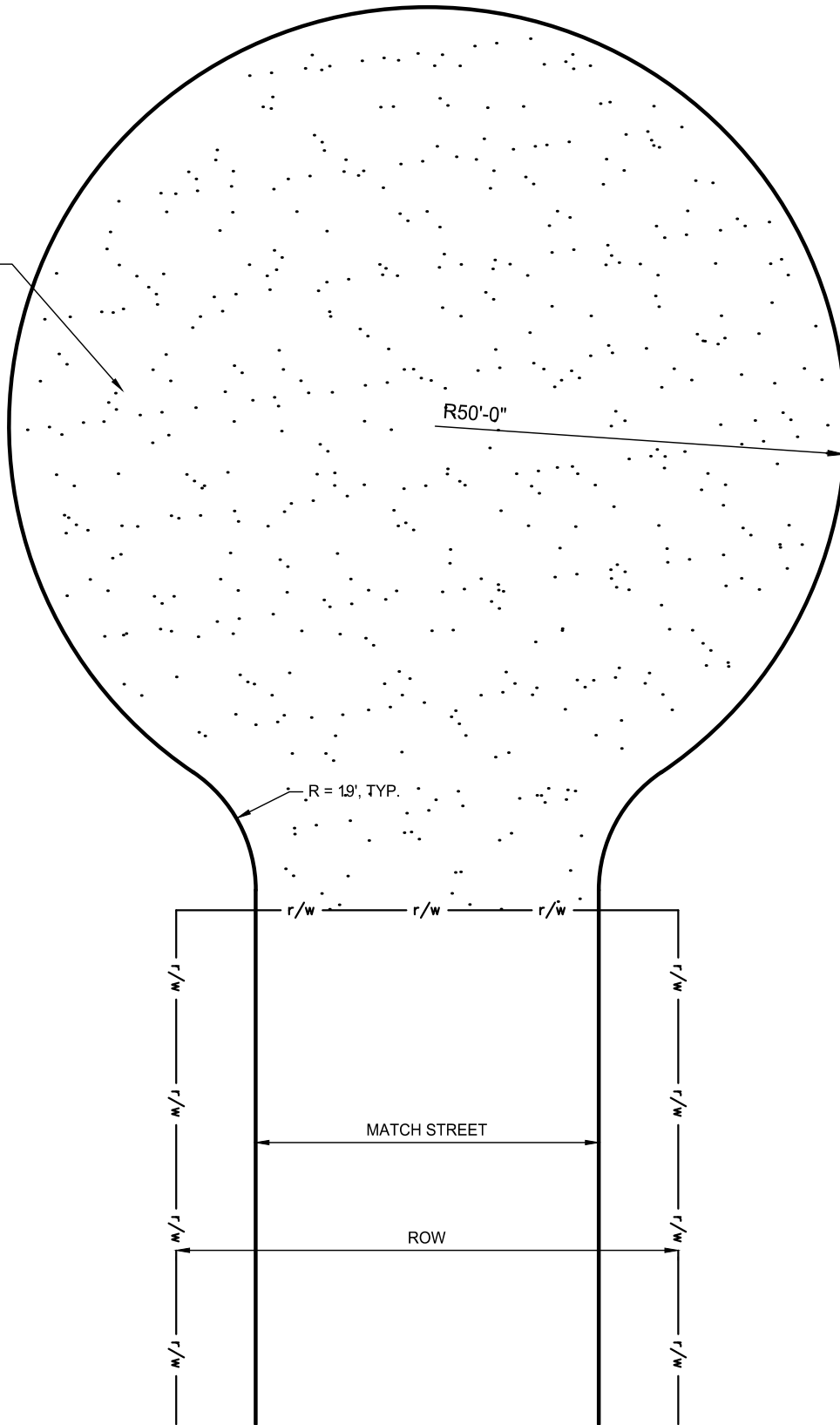
DRAWING SCALE: 1" = 20'

PREPARED BY: JONES AND DEMILLE ENGINEERING, INC.

DELTA CITY STANDARD DRAWING

 <p>DELTA CITY 76 N 200 W DELTA, UT 84624 (435) 864-2759 delta.utah.gov</p>	<h1>CUL-DE-SAC</h1>	STANDARD DRAWING No.
		ST-111
APPROVED:		DATE: - BY: --
UPDATED: 4/24/2025		

6" MIN. UNTREATED
BASE COURSE



DRAWING SCALE: 1" = 20'

PREPARED BY: JONES AND DEMILLE ENGINEERING, INC.

DELTA CITY STANDARD DRAWING



DELTA CITY
76 N 200 W
DELTA, UT 84624
(435) 864-2759
delta.utah.gov

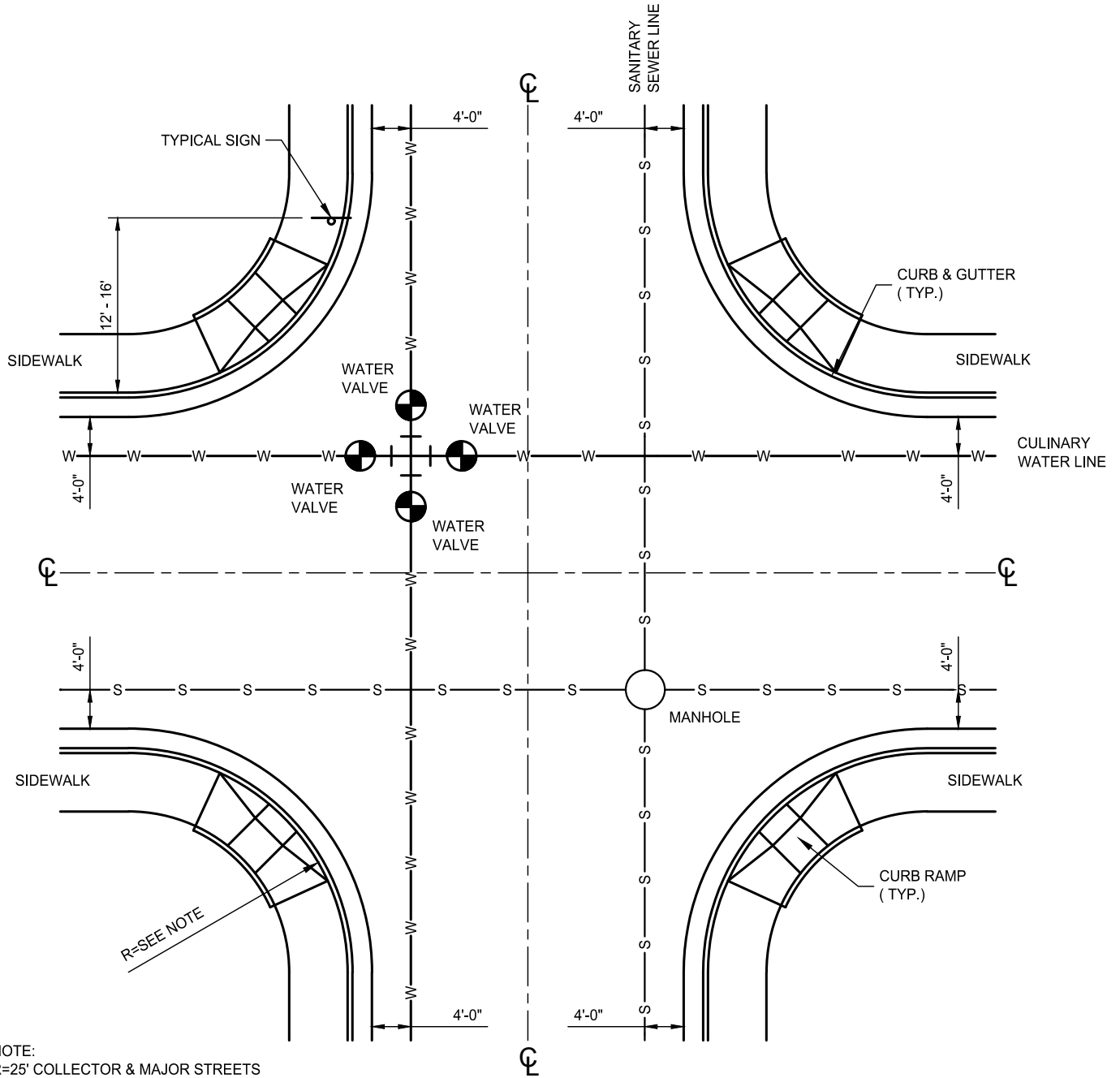
TEMPORARY TURNAROUND (AT END OF SUBDIVISION PHASES)

UPDATED: 4/24/2025

STANDARD DRAWING No.
ST-112
APPROVED:
DATE: - BY: --

NOTES:

1. LOCATE CULINARY WATER & SANITARY SEWER LINES ON OPPOSITES SIDES OF STREET



NOTE:
 R=25' COLLECTOR & MAJOR STREETS
 R=15' ON OTHER STREETS.

DRAWING SCALE: 1" = 30'

PREPARED BY: JONES AND DEMILLE ENGINEERING, INC.

DELTA CITY STANDARD DRAWING

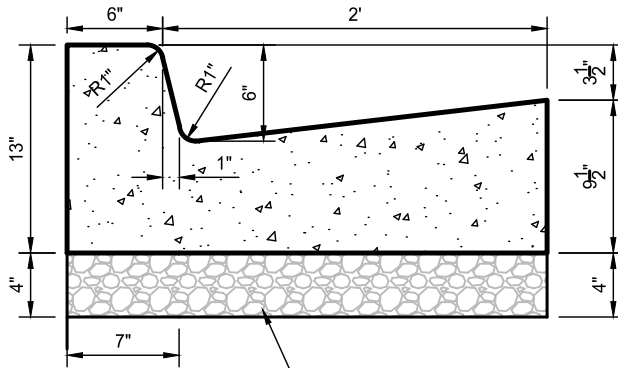
STREET INTERSECTION AND
 UTILITY LOCATIONS



DELTA CITY
 76 N 200 W
 DELTA, UT 84624
 (435) 864-2759
 delta.utah.gov

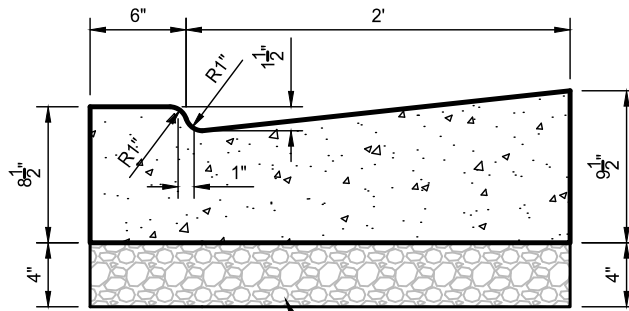
UPDATED: 3/3/2025

STANDARD DRAWING No.	
ST-113	
APPROVED:	
DATE: -	BY: --



4" MIN. UNTREATED BASE COURSE.
COMPACTED TO 96%, AASHTO T-180

STANDARD CURB



4" MIN. UNTREATED BASE COURSE.
COMPACTED TO 96%, AASHTO T-180

DRIVE DEPRESSION CURB

NOTE: SEE CONCRETE JOINTS ON SHEET ST-151

DRAWING NOT TO SCALE

PREPARED BY: JONES AND DEMILLE ENGINEERING, INC.

DELTA CITY STANDARD DRAWING



DELTA CITY
76 N 200 W
DELTA, UT 84624
(435) 864-2759
delta.utah.gov

TYPE B1 CURB & GUTTER

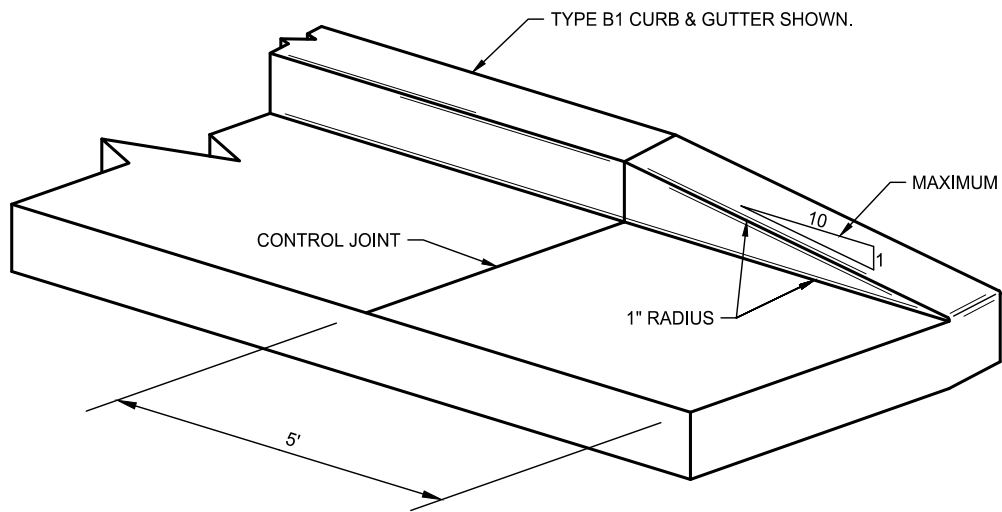
UPDATED: 3/3/2025

STANDARD DRAWING No.

ST-121

APPROVED:

DATE: - BY: --



DRAWING NOT TO SCALE

PREPARED BY: JONES AND DEMILLE ENGINEERING, INC.

DELTA CITY STANDARD DRAWING

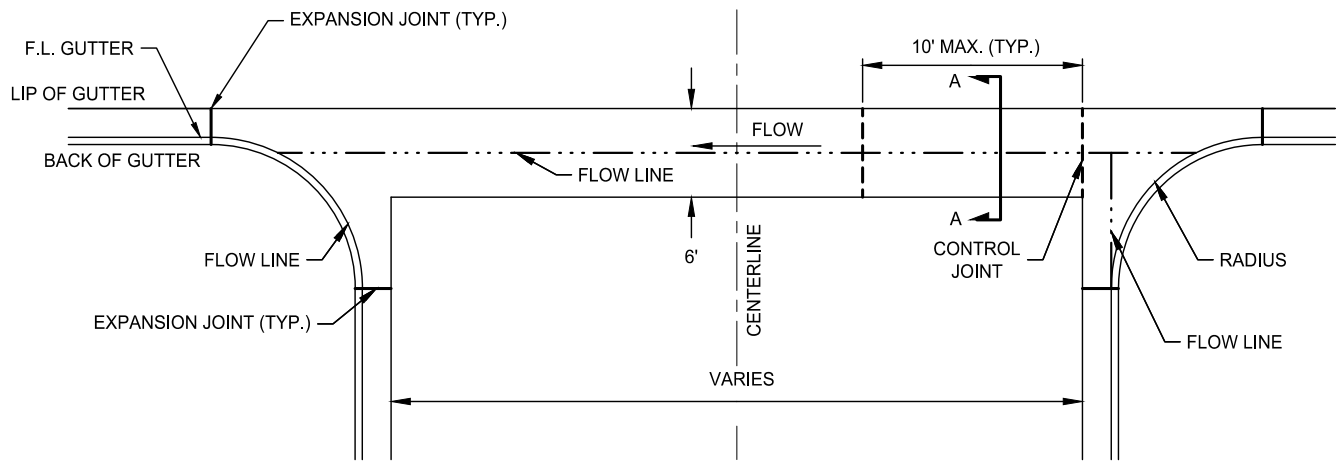


DELTA CITY
 76 N 200 W
 DELTA, UT 84624
 (435) 864-2759
 delta.utah.gov

CURB & GUTTER TAPERED END

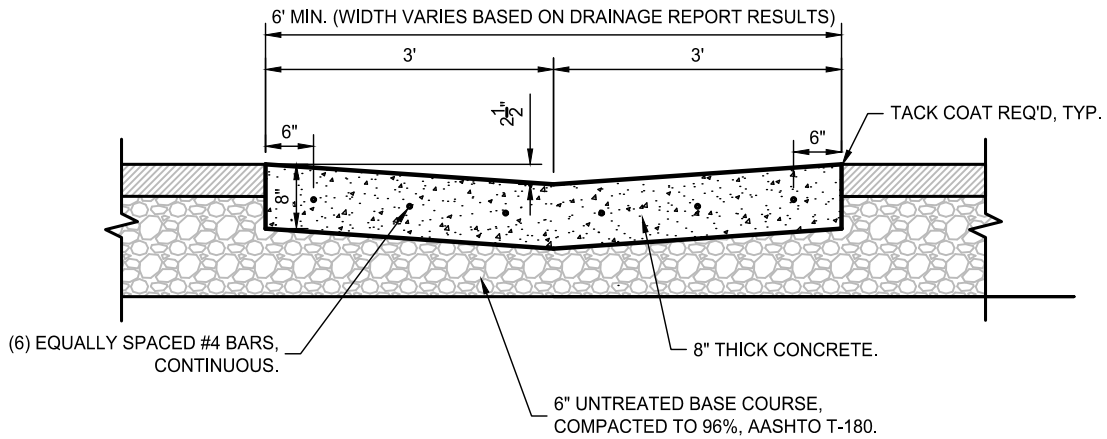
UPDATED: 3/3/2025

STANDARD DRAWING No.	
ST-122	
APPROVED:	
DATE: -	BY: --



PLAN

DRAWING SCALE: 1" = 10'



SECTION A-A

NOTES:

1. CONSTRUCT CROSS GUTTER TO DRAIN WITHOUT PONDING.
2. SEE CONCRETE JOINTS ON ST-151.

DRAWING SCALE: 1" = 2'

PREPARED BY: JONES AND DEMILLE ENGINEERING, INC.

DELTA CITY STANDARD DRAWING



DELTA CITY
76 N 200 W
DELTA, UT 84624
(435) 864-2759
delta.utah.gov

CONCRETE CROSS GUTTER

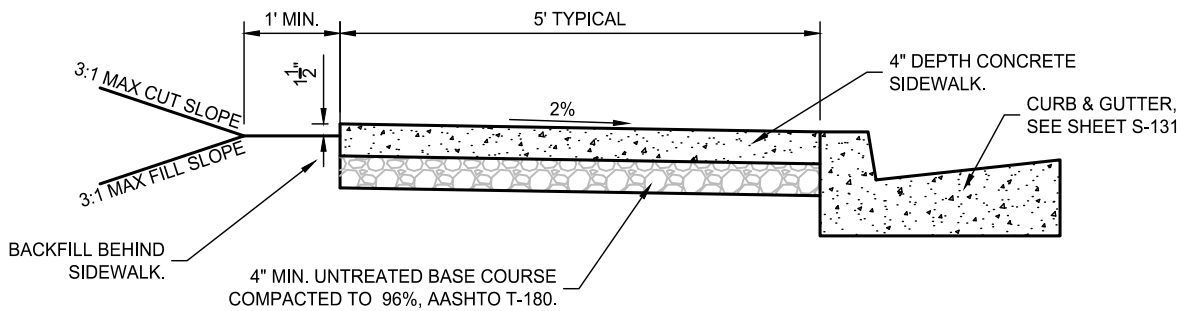
UPDATED: 3/3/2025

STANDARD DRAWING No.

ST-123

APPROVED:

DATE: - BY: --



NOTES:

1. AT DRIVEWAYS, CONSTRUCT 7" DEPTH CONCRETE SLAB FOR SIDEWALK.
2. SEE CONCRETE JOINTS ON ST-151.
3. CURB & GUTTER AND SIDEWALK MAY BE PLACED MONOLITHICALLY.

DRAWING SCALE: 1" = 2'

PREPARED BY: JONES AND DEMILLE ENGINEERING, INC.

DELTA CITY STANDARD DRAWING



DELTA CITY
76 N 200 W
DELTA, UT 84624
(435) 864-2759
delta.utah.gov

CONCRETE SIDEWALK
AGAINST CURB

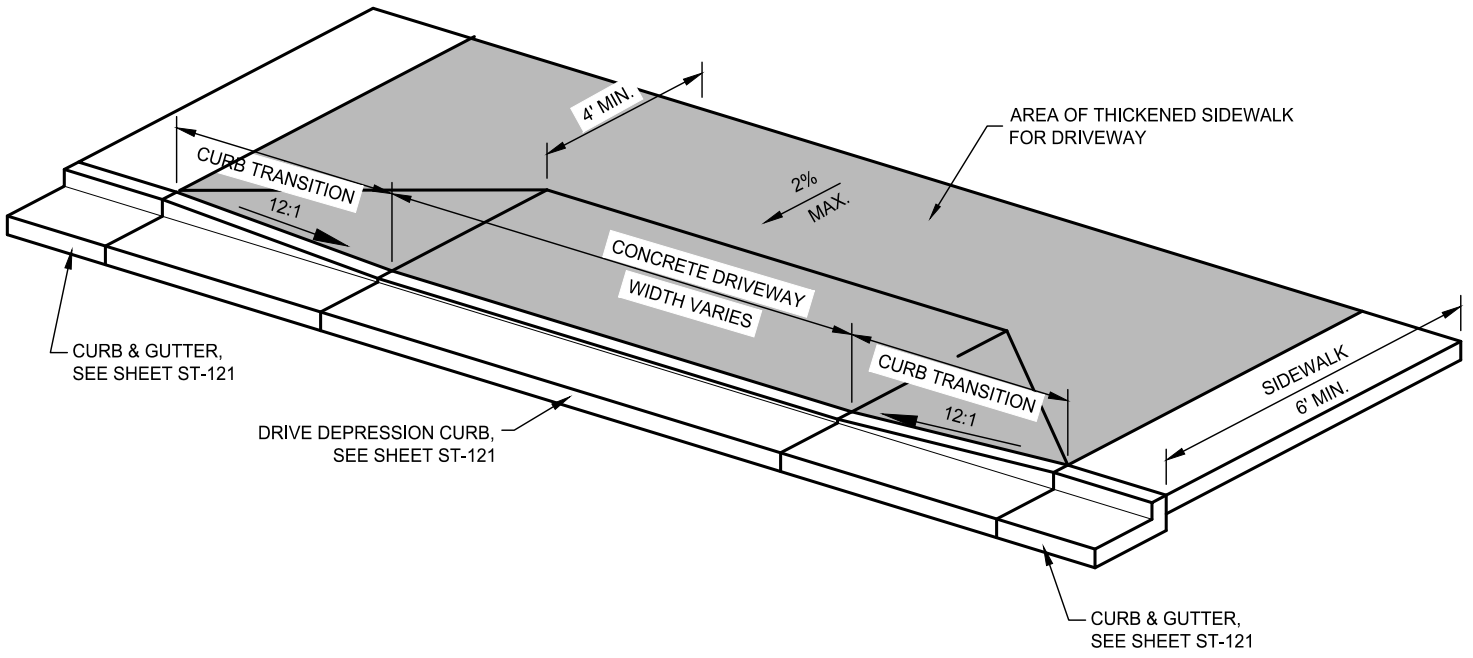
UPDATED: 3/3/2025

STANDARD DRAWING No.

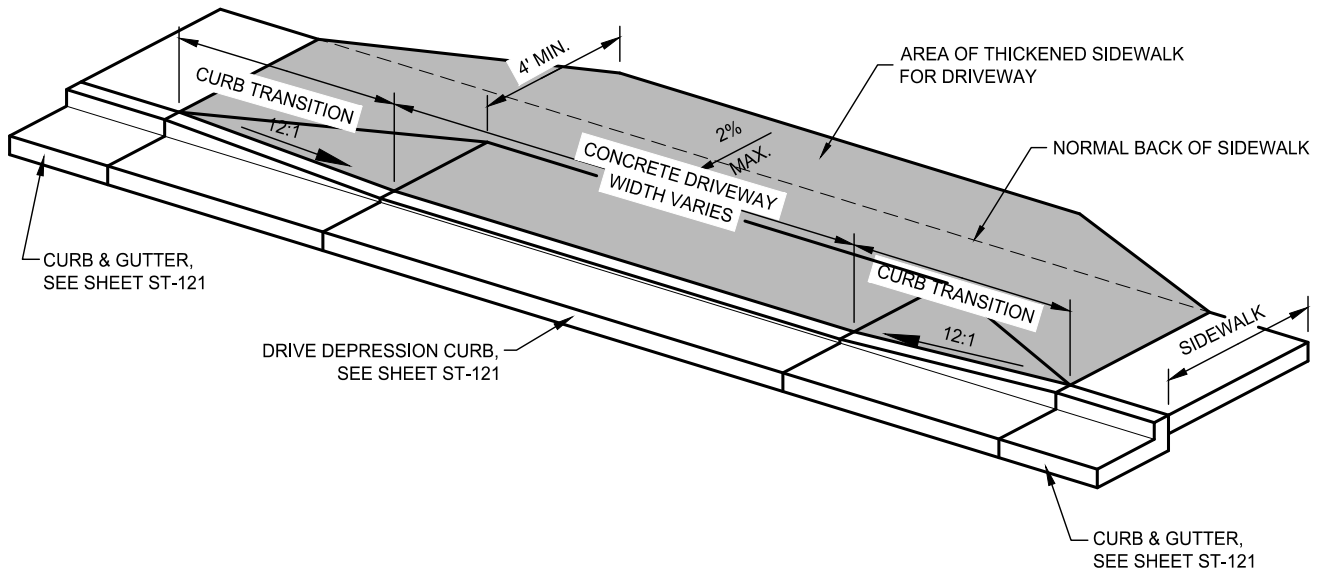
ST-131

APPROVED:

DATE: - BY: --



DRIVEWAY WITH WIDE SIDEWALKS



SIDEWALK AGAINST CURB

DRAWING NOT TO SCALE

PREPARED BY: JONES AND DEMILLE ENGINEERING, INC.

DELTA CITY STANDARD DRAWING



DELTA CITY
76 N 200 W
DELTA, UT 84624
(435) 864-2759
delta.utah.gov

DRIVE DEPRESSION & TRANSITION

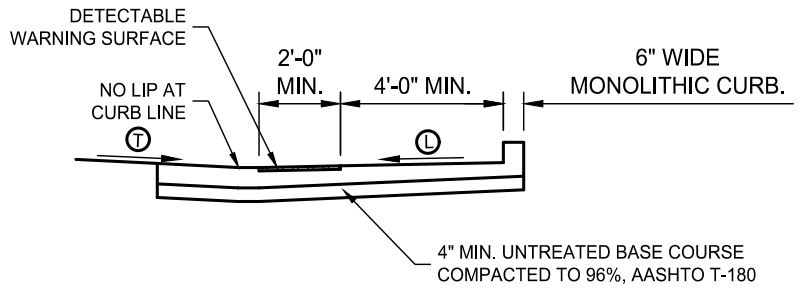
UPDATED: 3/13/2025

STANDARD DRAWING No.

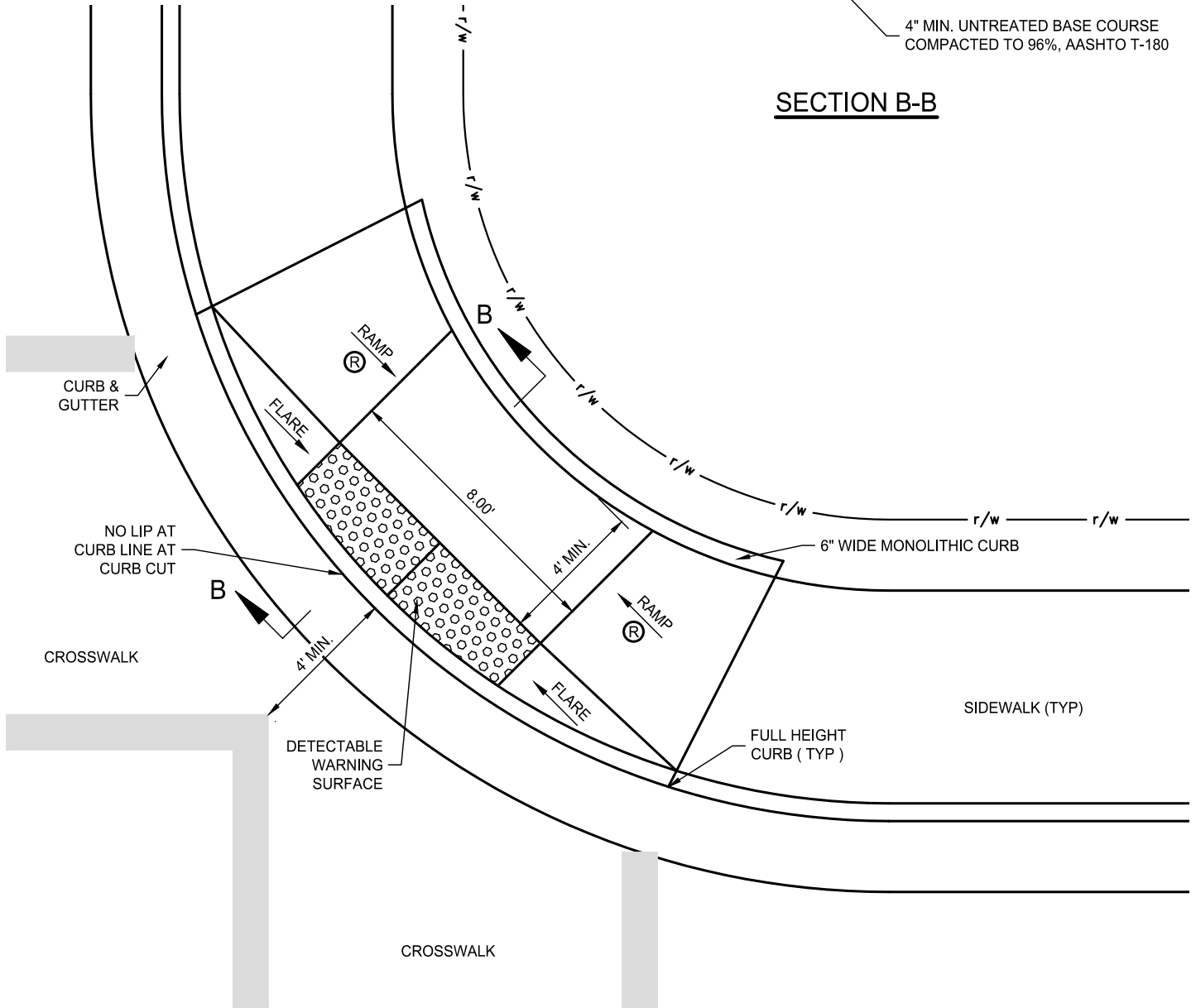
ST-132

APPROVED:

DATE: -- BY: --



SECTION B-B



PLAN

NOTES:

1. MONOLITHIC CURB REQUIRED IF NECESSARY TO CONTAIN LANDSCAPING.
2. SEE DETECTABLE WARNING SURFACE DETAIL ON SHEET ST-139.
3. SEE CURB RAMP SLOPE TABLE ON SHEET ST-140.

DRAWING NOT TO SCALE

PREPARED BY: JONES AND DEMILLE ENGINEERING, INC.

DELTA CITY STANDARD DRAWING



DELTA CITY
76 N 200 W
DELTA, UT 84624
(435) 864-2759
delta.utah.gov

**CORNER CURB RAMP
NO PLANTER STRIP**

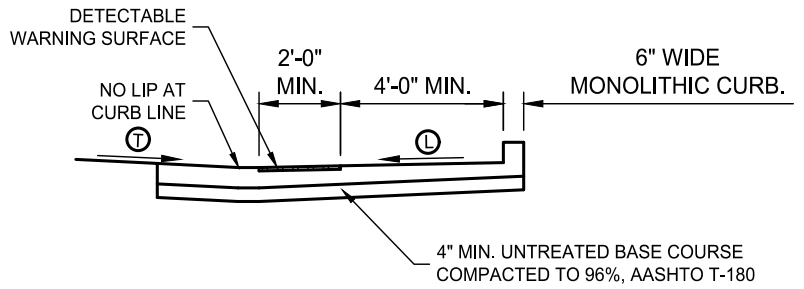
UPDATED: 3/3/2025

STANDARD DRAWING No.

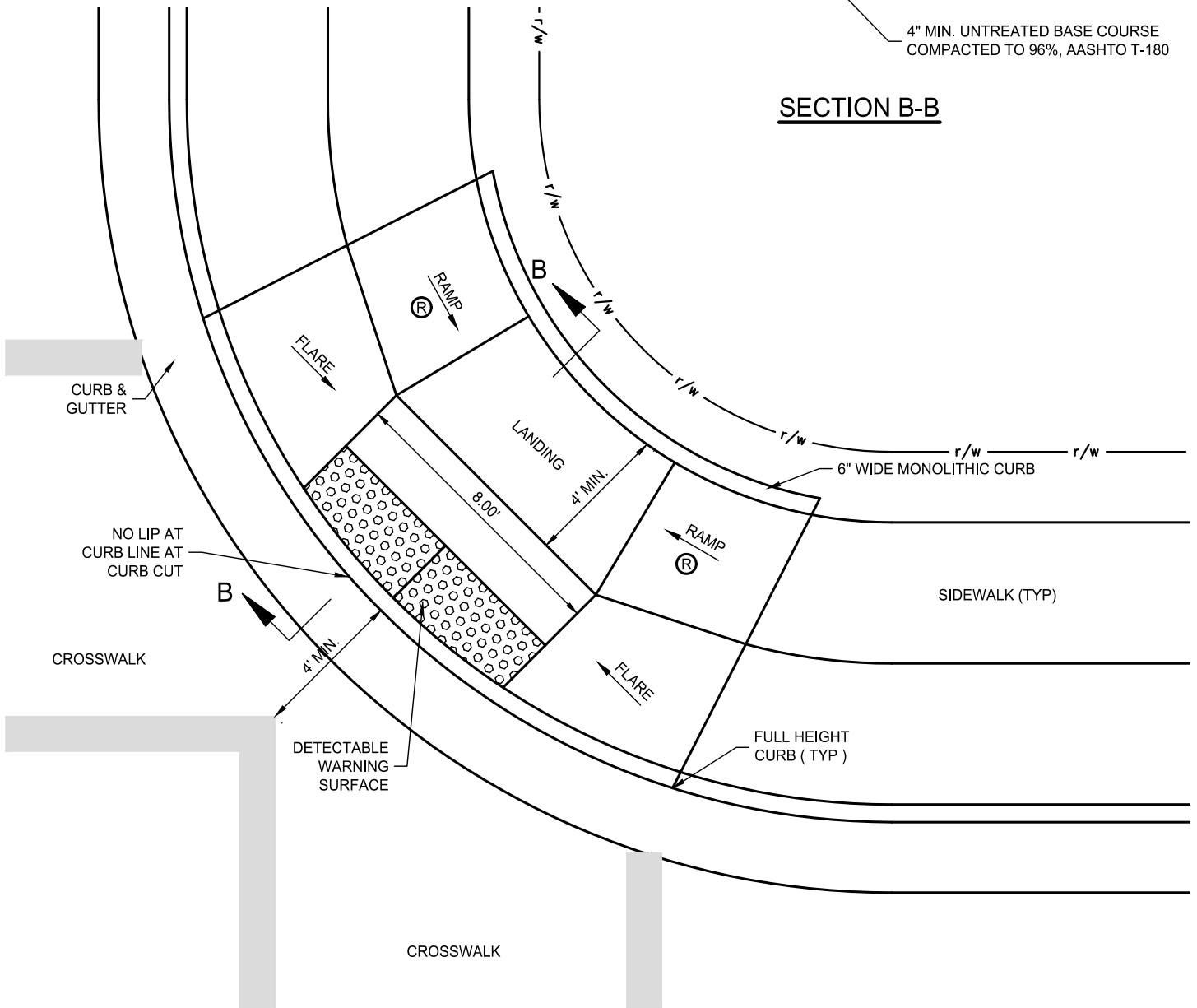
ST-134

APPROVED:

DATE: - BY: --



SECTION B-B



PLAN

NOTES:

1. MONOLITHIC CURB REQUIRED IF NECESSARY TO CONTAIN LANDSCAPING.
2. SEE DETECTABLE WARNING SURFACE DETAIL ON SHEET ST-139.
3. SEE CURB RAMP SLOPE TABLE ON SHEET ST-140.

DRAWING NOT TO SCALE

PREPARED BY: JONES AND DEMILLE ENGINEERING, INC.

DELTA CITY STANDARD DRAWING



DELTA CITY
76 N 200 W
DELTA, UT 84624
(435) 864-2759
delta.utah.gov

**CORNER CURB RAMP
WITH PLANTER STRIP**

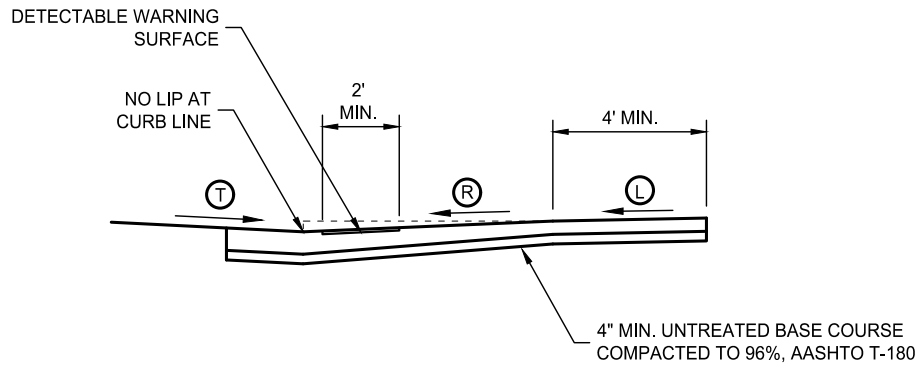
UPDATED: 3/3/2025

STANDARD DRAWING No.

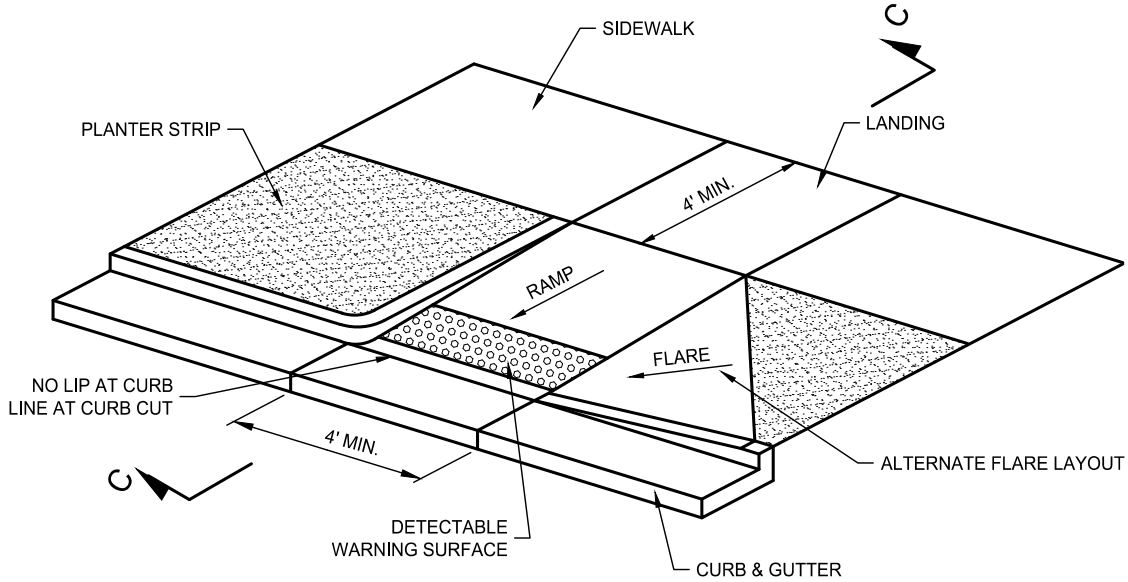
ST-135

APPROVED:

DATE: - BY: --



SECTION C-C



PLAN

NOTES:

1. FLARE IS ACCEPTABLE AT SIDES OF RAMP IN LIEU OF CURB.
2. SEE DETECTABLE WARNING SURFACE DETAIL ON SHEET ST-139.
3. SEE CURB RAMP SLOPE TABLE ON SHEET ST-140.

DRAWING SCALE: 1" = 5'

PREPARED BY: JONES AND DEMILLE ENGINEERING, INC.

DELTA CITY STANDARD DRAWING



DELTA CITY
76 N 200 W
DELTA, UT 84624
(435) 864-2759
delta.utah.gov

**PERPENDICULAR CURB RAMP
WITH PLANTER STRIP**

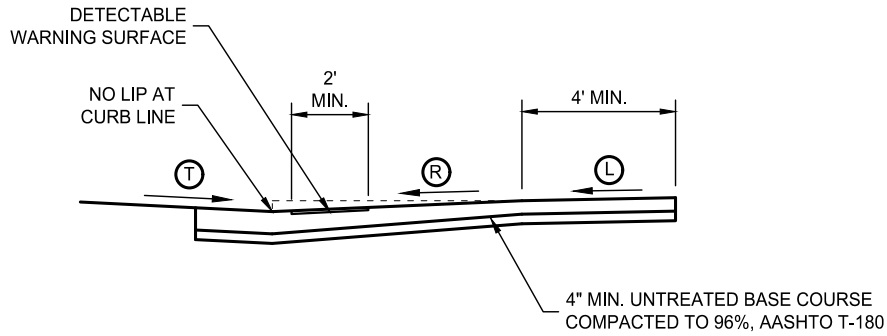
UPDATED: 3/3/2025

STANDARD DRAWING No.

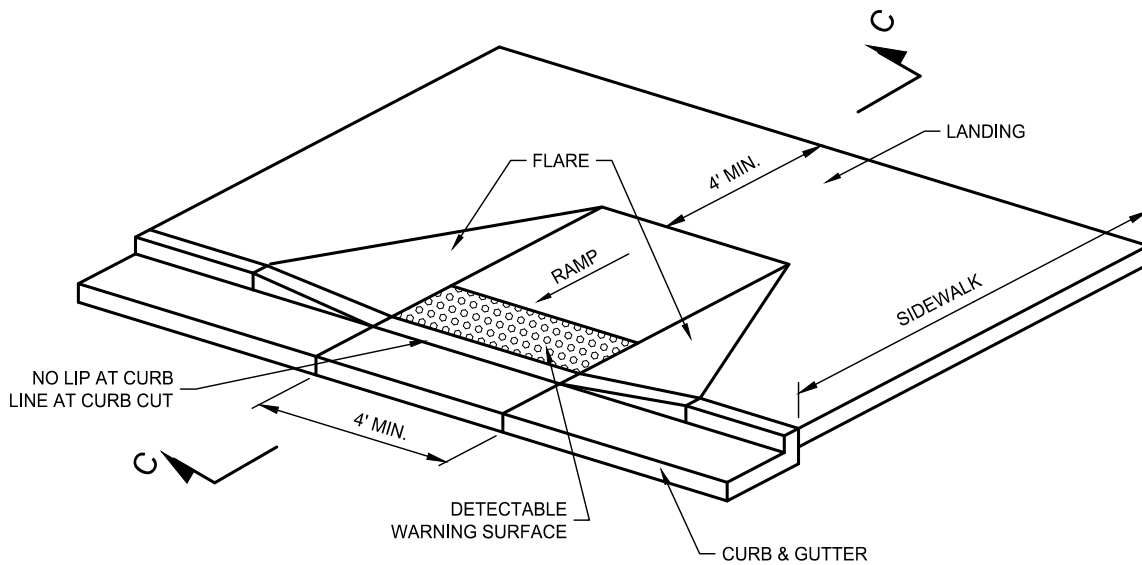
ST-136

APPROVED:

DATE: - BY: --



SECTION C-C



PLAN

NOTES:

1. SEE DETECTABLE WARNING SURFACE DETAIL ON SHEET ST-139.
2. SEE CURB RAMP SLOPE TABLE ON SHEET ST-140.

DRAWING SCALE: 1" = 5'

PREPARED BY: JONES AND DEMILLE ENGINEERING, INC.

DELTA CITY STANDARD DRAWING



DELTA CITY
76 N 200 W
DELTA, UT 84624
(435) 864-2759
delta.utah.gov

PERPENDICULAR CURB RAMP

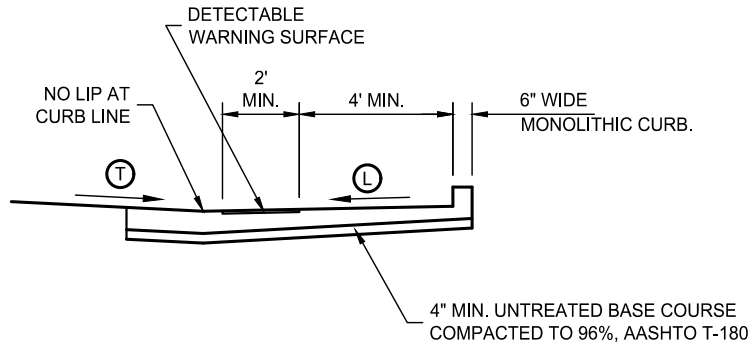
UPDATED: 3/3/2025

STANDARD DRAWING No.

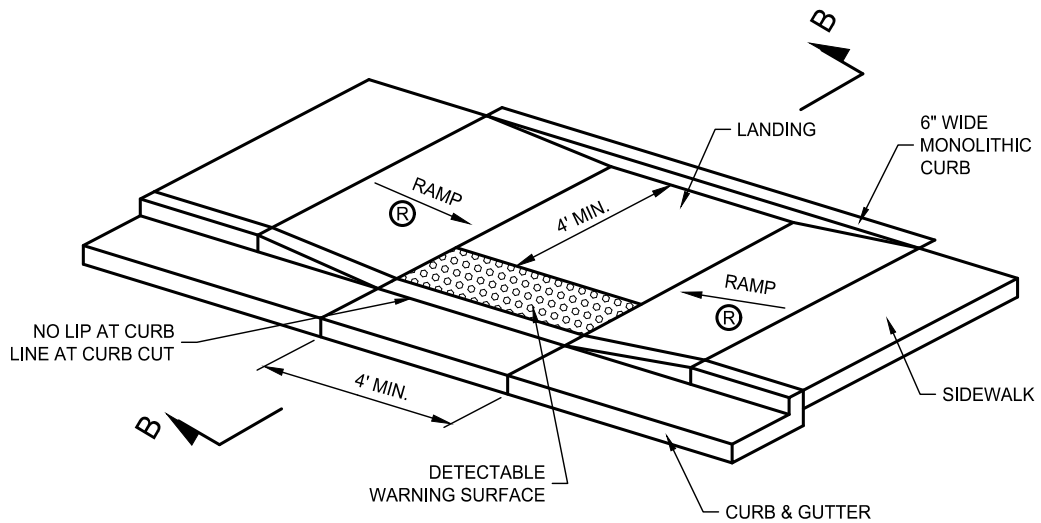
ST-137

APPROVED:

DATE: - BY: --



SECTION B-B



PLAN

NOTES:

1. MONOLITHIC CURB REQUIRED IF NECESSARY TO CONTAIN LANDSCAPING.
2. SEE DETECTABLE WARNING SURFACE DETAIL ON SHEET ST-139.
3. SEE CURB RAMP SLOPE TABLE ON SHEET ST-140.

DRAWING SCALE: 1" = 5'

PREPARED BY: JONES AND DEMILLE ENGINEERING, INC.

DELTA CITY STANDARD DRAWING



DELTA CITY
76 N 200 W
DELTA, UT 84624
(435) 864-2759
delta.utah.gov

PARALLEL CURB RAMP

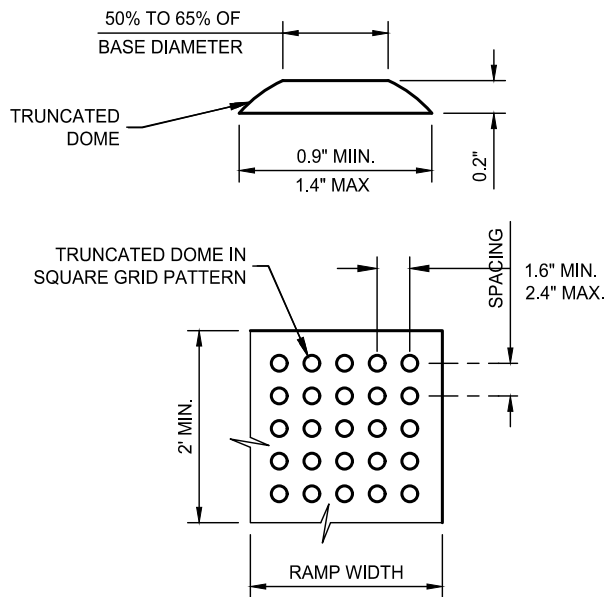
UPDATED: 3/3/2025

STANDARD DRAWING No.

ST-138

APPROVED:

DATE: - BY: --



NOTES:

1. PROVIDE DETECTABLE WARNING SURFACE FOR FULL WIDTH OF RAMP.
2. LOCATE DETECTABLE WARNING SURFACE SO THAT THE EDGE NEAREST THE STREET IS 6 OR 8 INCHES FROM THE CURB LINE.
3. PROVIDE DETECTABLE WARNING SURFACE THAT CONTRASTS WITH ADJACENT WALKING SURFACE, EITHER LIGHT-ON-DARK OR DARK-ON-LIGHT. ACCEPTABLE COLORS INCLUDE: RED, BLACK OR YELLOW.

DRAWING SCALE: 1" = 1'

PREPARED BY: JONES AND DEMILLE ENGINEERING, INC.

DELTA CITY STANDARD DRAWING



DELTA CITY
 76 N 200 W
 DELTA, UT 84624
 (435) 864-2759
 delta.utah.gov

DETECTABLE WARNING SURFACE

UPDATED: 3/3/2025

STANDARD DRAWING No.

ST-139

APPROVED:

DATE: - BY: --

CURB RAMP SLOPE TABLE

	ITEM	MAX. RUNNING SLOPE *	MAX. CROSS SLOPE *
Ⓐ	LANDING	2% (1V:50H)	2% (1V:50H)
Ⓑ	RAMP	8.33% (1V:12H)	2% (1V:50H)
Ⓒ	TRANSITION	5% (1V:20H) (a)	2% (1V:50H)
	SIDEWALK	--	2% (1V:50H)
	FLARE	10% (1V:10H)	--

* RUNNING SLOPE IS IN THE DIRECTION OF PEDESTRIAN TRAVEL, WHILE CROSS SLOPE IS PERPENDICULAR TO PEDESTRIAN TRAVEL.

(a) TRANSITION RUNNING SLOPE NEEDS TO BE CONSTANT ACROSS ENTIRE CURB CUT. WARP GUTTER PAN TO MEET REQUIRED TRANSITION SLOPE AT CURB CUT.

NOTES:

1. CONFIGURATION OF RAMPS AND LANDINGS MAY VARY TO FIT SITE CONDITIONS, BUT MUST MEET DIMENSION AND SLOPE REQUIREMENTS.
2. CURB RAMPS SHALL COMPLY WITH AMERICANS WITH DISABILITIES ACT (ADA) REQUIREMENTS.

NO SCALE

PREPARED BY: JONES AND DEMILLE ENGINEERING, INC.

DELTA CITY STANDARD DRAWING



DELTA CITY
76 N 200 W
DELTA, UT 84624
(435) 864-2759
delta.utah.gov

CURB RAMP SLOPE TABLE

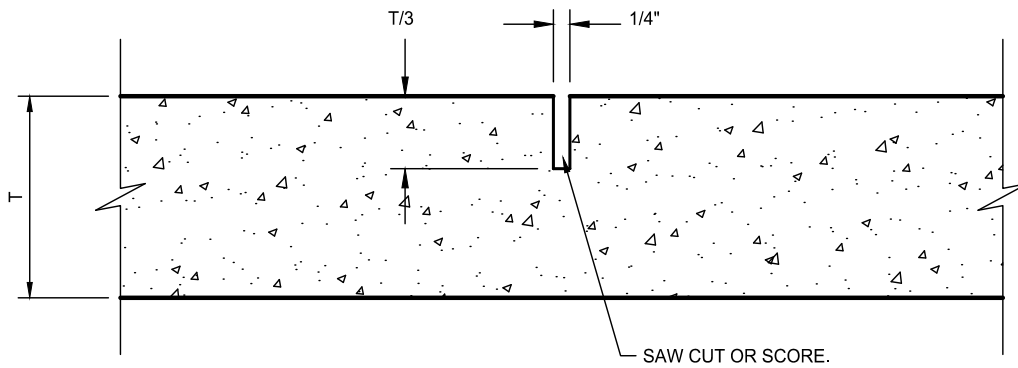
UPDATED: 3/3/2025

STANDARD DRAWING No.

ST-140

APPROVED:

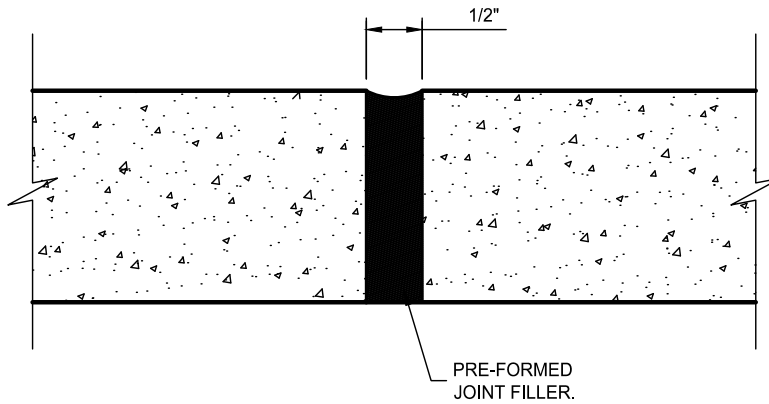
DATE: -- BY: --



CONTROL JOINT

NOTES:

1. USE FOR CURB & GUTTER, CROSS GUTTER, AND SIDEWALK.
2. FOR FLATWORK, PLACE AT SPACING EQUAL TO SLAB WIDTH, BUT NOT GREATER THAN 12'
3. FOR CURB & GUTTER AND CROSS GUTTER PLACE AT 10' INTERVALS.



EXPANSION JOINT

NOTES:

1. USE FOR CURB & GUTTER, CROSS GUTTER, AND SIDEWALK.
2. FOR FLATWORK, PLACE AT 50' INTERVALS.
3. FOR CURB & GUTTER, PLACE AT 50' INTERVALS, EXCEPT WHEN USING SLIP FORM MACHINE, PLACE AT BEGINNING AND END OF EACH CONTINUOUS RUN.

DRAWING NOT TO SCALE

PREPARED BY: JONES AND DEMILLE ENGINEERING, INC.

DELTA CITY STANDARD DRAWING



DELTA CITY
76 N 200 W
DELTA, UT 84624
(435) 864-2759
delta.utah.gov

CONCRETE JOINTS

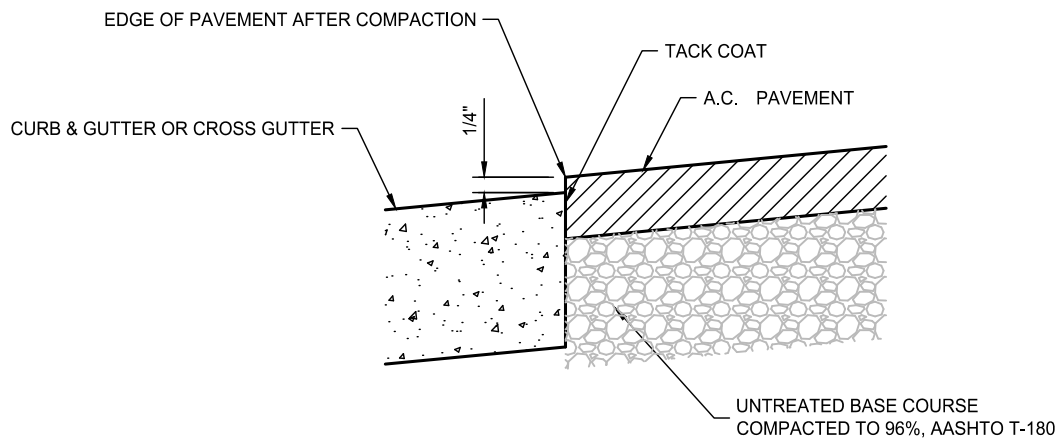
UPDATED: 3/3/2025

STANDARD DRAWING No.

ST-151

APPROVED:

DATE: - BY: --



DRAWING NOT TO SCALE

PREPARED BY: JONES AND DEMILLE ENGINEERING, INC.

DELTA CITY STANDARD DRAWING

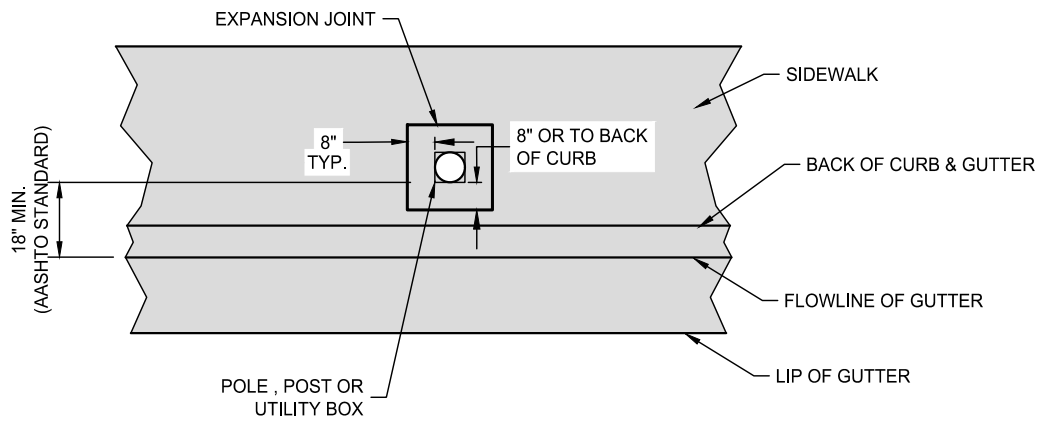


DELTA CITY
76 N 200 W
DELTA, UT 84624
(435) 864-2759
delta.utah.gov

PAVEMENT EDGE

UPDATED: 3/3/2025

STANDARD DRAWING No.
ST-152
APPROVED:
DATE: - BY: --



NOTE: SEE EXPANSION JOINT DETAIL ON ST-151.

DRAWING NOT TO SCALE

PREPARED BY: JONES AND DEMILLE ENGINEERING, INC.

DELTA CITY STANDARD DRAWING



DELTA CITY
 76 N 200 W
 DELTA, UT 84624
 (435) 864-2759
 delta.utah.gov

EXPANSION JOINT AROUND OBJECTS

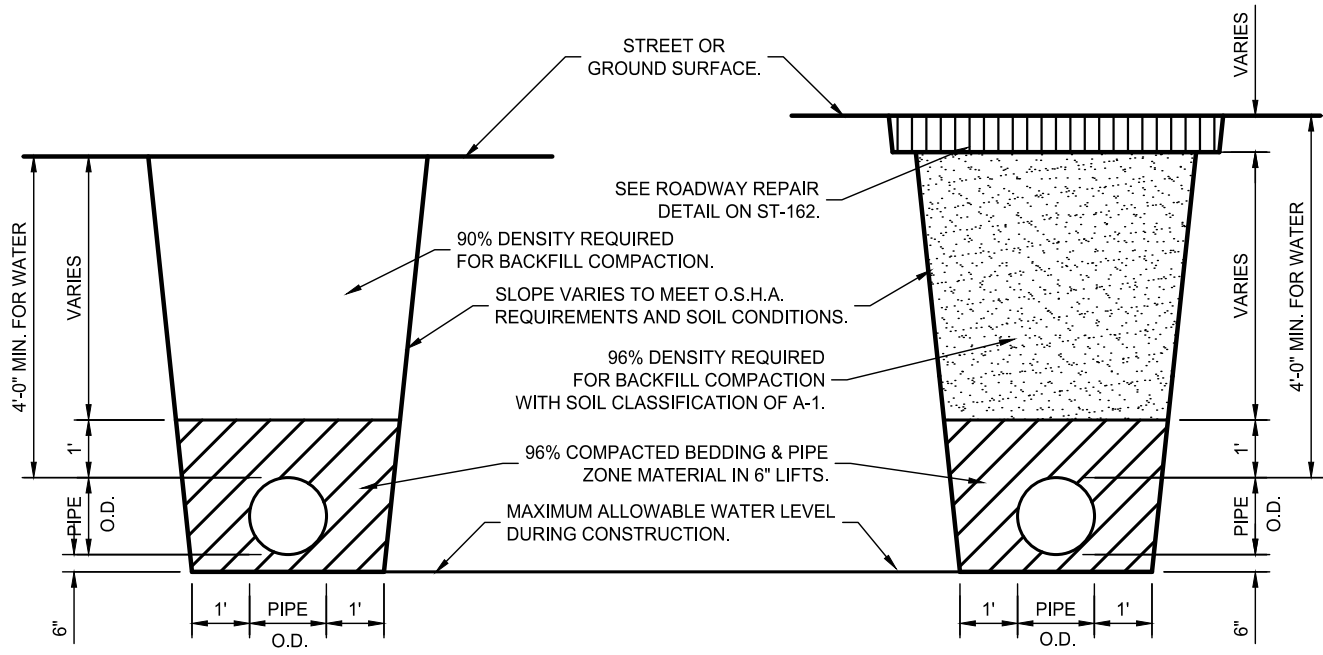
UPDATED: 3/3/2025

STANDARD DRAWING No.

ST-153

APPROVED:

DATE: - BY: --



NON-TRAVELED AREAS

TRAVELED AREAS

NOTES:

1. DO NOT PLACE NEW PAVEMENT OR PERMIT VEHICULAR TRAFFIC OVER TRENCH FOR AT LEAST 24 HOURS AFTER PLACING CEMENT TREATED FLOWABLE FILL
2. IF NEW PAVEMENT SURFACE WILL NOT BE PLACED WITHIN 7 DAYS AFTER TRENCHING, BACKFILL WITH ASPHALT COLD PATCH TO MATCH ELEVATION OF EXISTING PAVEMENT. REMOVE ASPHALT COLD PATCH AS REQUIRED TO PLACE NEW PAVEMENT. ROTOMILL TAILINGS WILL NOT BE ACCEPTED.
3. IF BEDDING DEPTH EXCEEDS ACTUAL TRENCH DEPTH, USE FLOWABLE FILL FOR FULL DEPTH.
4. IF CONNECTING NEW SERVICE OR NEW MAIN LINE TO EXISTING MAIN LINE BACKFILL WITH CEMENT TREATED FLOWABLE FILL

DRAWING NOT TO SCALE

PREPARED BY: JONES AND DEMILLE ENGINEERING, INC.

DELTA CITY STANDARD DRAWING



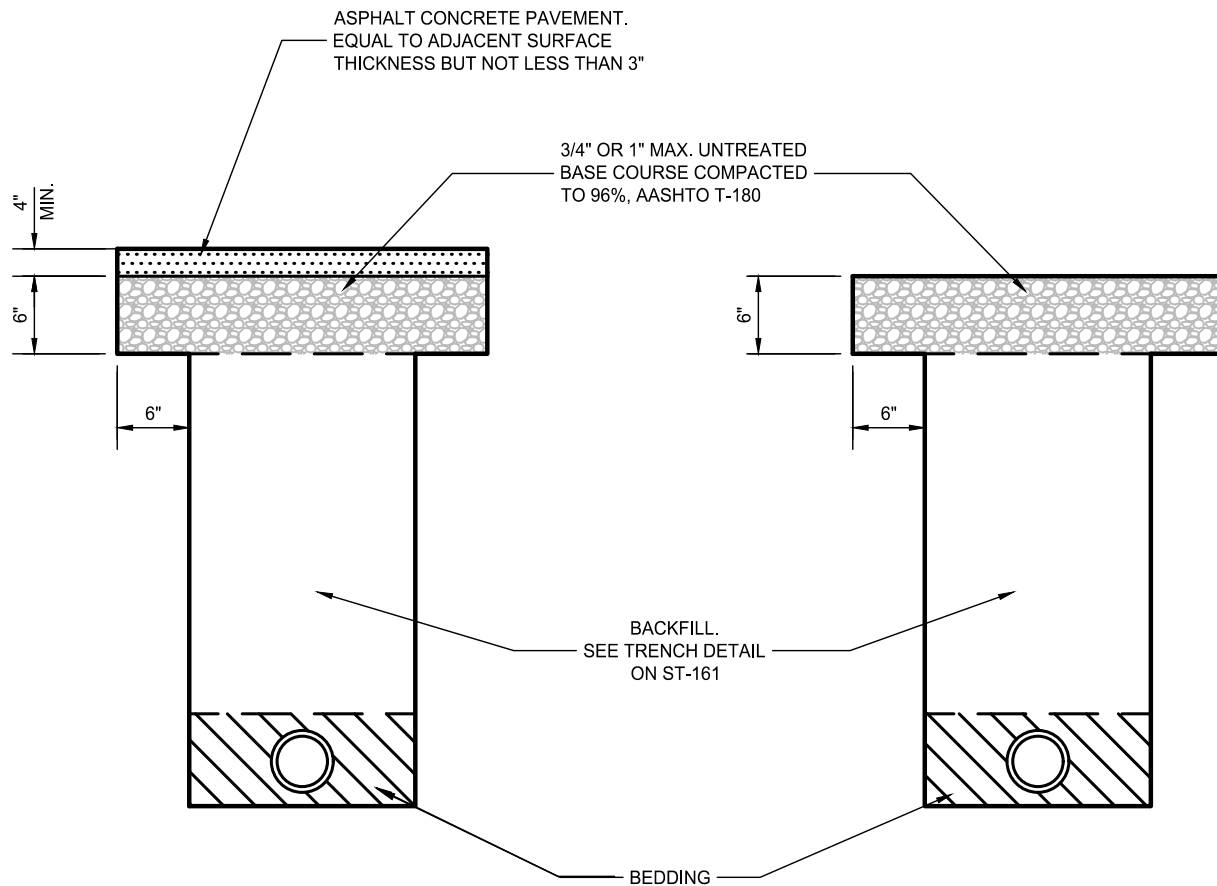
DELTA CITY
76 N 200 W
DELTA, UT 84624
(435) 864-2759
delta.utah.gov

UTILITY TRENCH

UPDATED: 3/3/2025

STANDARD DRAWING No.
ST-161

APPROVED:
DATE: -- BY: --



ASPHALT SURFACING

GRAVEL SURFACING

NOTES:

1. DO NOT PLACE NEW PAVEMENT OR PERMIT VEHICULAR TRAFFIC OVER TRENCH FOR AT LEAST 24 HOURS AFTER PLACING CEMENT TREATED FLOWABLE FILL
2. IF NEW PAVEMENT SURFACE WILL NOT BE PLACED WITHIN 7 DAYS AFTER TRENCHING, BACKFILL WITH ASPHALT COLD PATCH TO MATCH ELEVATION OF EXISTING PAVEMENT. REMOVE ASPHALT COLD PATCH AS REQUIRED TO PLACE NEW PAVEMENT. ROTOMILL TAILINGS WILL NOT BE ACCEPTED.
3. IF BEDDING DEPTH EXCEEDS ACTUAL TRENCH DEPTH, USE FLOWABLE FILL FOR FULL DEPTH.
4. DURING WINTER MONTHS (NOVEMBER TO APRIL) ADD ASPHALT COLD PATCH WITHIN 48 HOURS. WHEN ASPHALT CONCRETE PAVEMENT IS AVAILABLE REMOVE ASPHALT COLD PATCH AND REPLACE WITH ASPHALT CONCRETE PAVEMENT.
5. IF ROADWAY REPAIR IS OCCURRING WITHIN 4' OF EDGE OF ROADWAY (INCLUDING PAVEMENT SHOULDER, JOINT WITH CURB AND GUTTER, SIDEWALK, OR OTHER), ASPHALT MUST BE REMOVED FROM TRENCH LINE TO EDGE OF PAVEMENT AND REPLACED. REPLACEMENT ASPHALT IN THIS REGION MUST MEET ALL CITY STANDARDS FOR ROADWAY REPAIR AND PAVEMENT REPLACEMENT.

DRAWING NOT TO SCALE

PREPARED BY: JONES AND DEMILLE ENGINEERING, INC.

DELTA CITY STANDARD DRAWING



DELTA CITY
76 N 200 W
DELTA, UT 84624
(435) 864-2759
delta.utah.gov

ROADWAY REPAIR

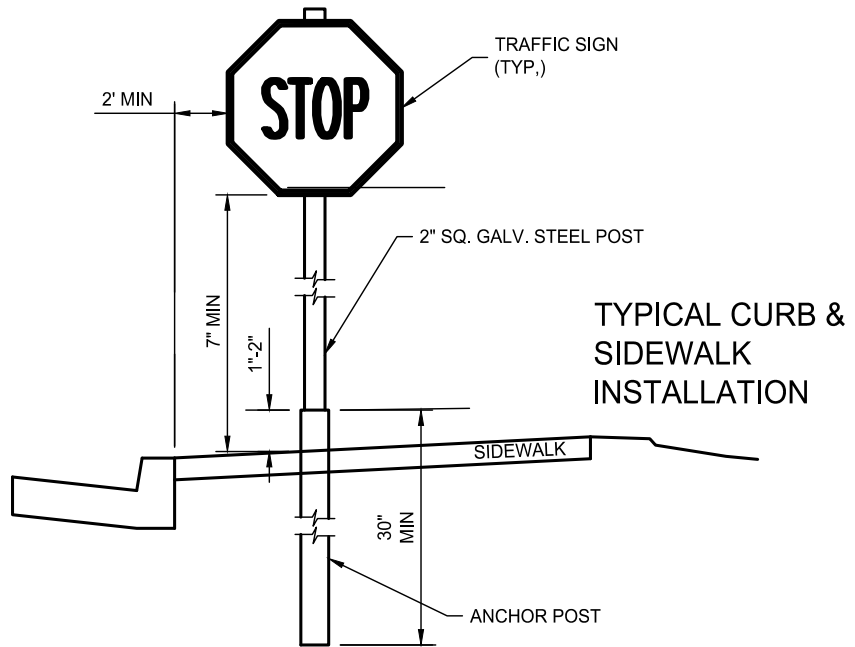
UPDATED: 3/3/2025

STANDARD DRAWING No.

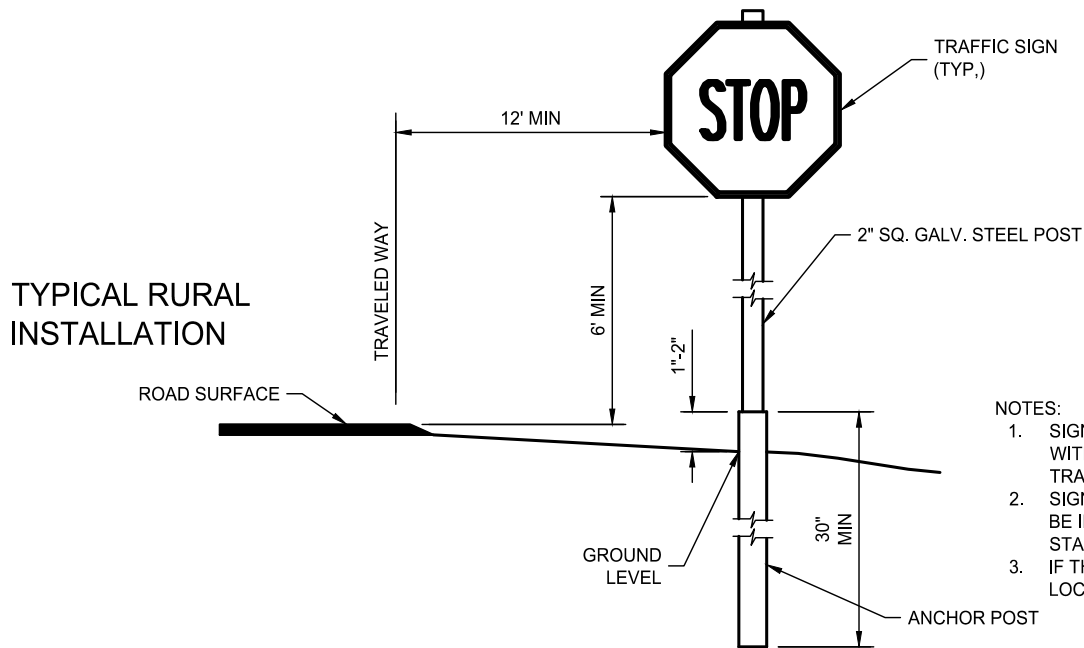
ST-162

APPROVED:

DATE: - BY: --



TYPICAL CURB & SIDEWALK INSTALLATION



NOTES:

1. SIGNS SHALL BE IN ACCORDANCE WITH MANUAL ON UNIFORM TRAFFIC CONTROL DEVICES.
2. SIGNS ON UDOT HIGHWAYS SHALL BE IN ACCORDANCE WITH UDOT STANDARDS.
3. IF THERE IS A PLANTER STRIP, LOCATE SIGN IN PLANTER STRIP.

TYPICAL RURAL INSTALLATION

DRAWING SCALE: 1" = 10'

PREPARED BY: JONES AND DEMILLE ENGINEERING, INC.

DELTA CITY STANDARD DRAWING



DELTA CITY
76 N 200 W
DELTA, UT 84624
(435) 864-2759
delta.utah.gov

SIGN & POST

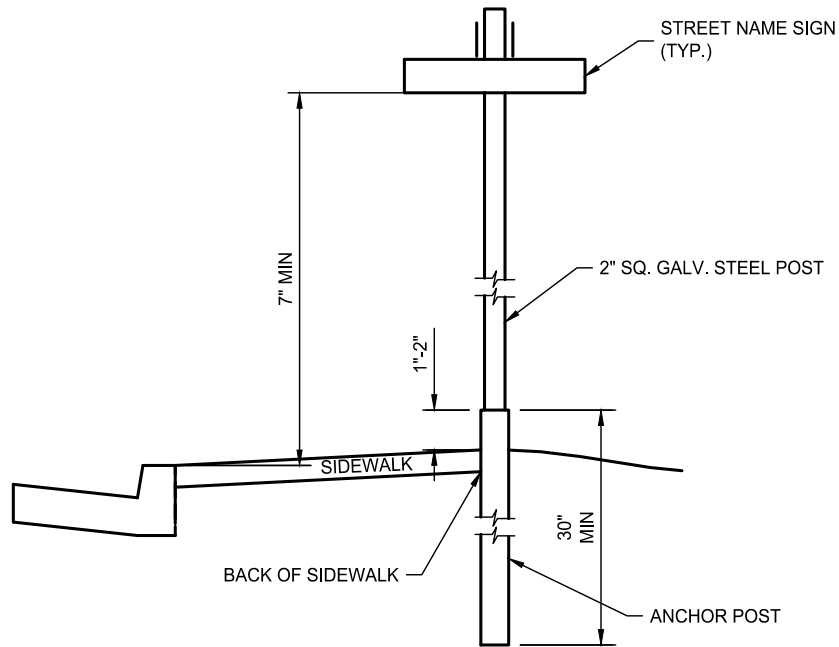
UPDATED: 3/13/2025

STANDARD DRAWING No.

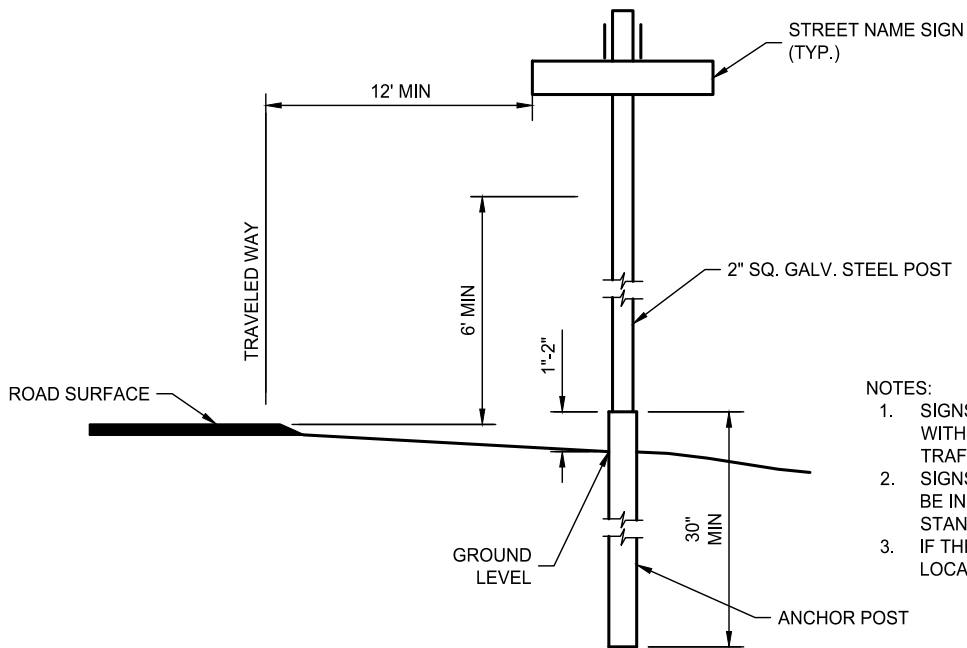
ST-171

APPROVED:

DATE: - BY: --



TYPICAL CURB & SIDEWALK INSTALLATION



NOTES:

1. SIGNS SHALL BE IN ACCORDANCE WITH MANUAL ON UNIFORM TRAFFIC CONTROL DEVICES.
2. SIGNS ON UDOT HIGHWAYS SHALL BE IN ACCORDANCE WITH UDOT STANDARDS.
3. IF THERE IS A PLANTER STRIP, LOCATE SIGN IN PLANTER STRIP.

TYPICAL RURAL INSTALLATION

DRAWING SCALE: 1" = 10'

PREPARED BY: JONES AND DEMILLE ENGINEERING, INC.

DELTA CITY STANDARD DRAWING



DELTA CITY
76 N 200 W
DELTA, UT 84624
(435) 864-2759
delta.utah.gov

SIGN & POST

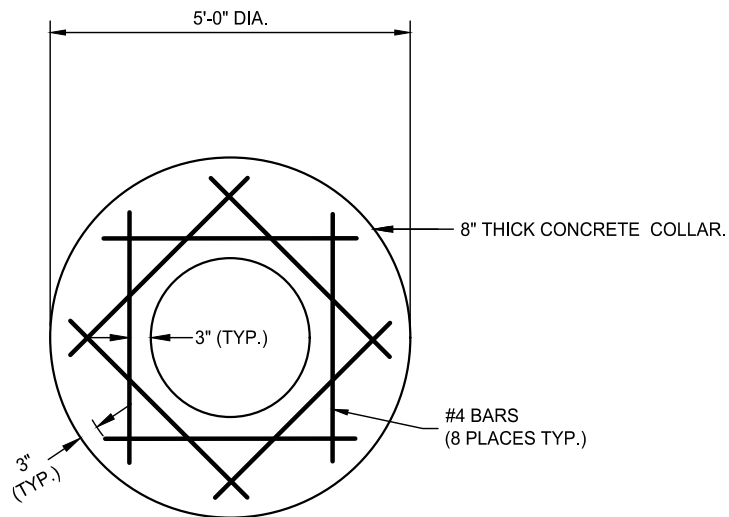
UPDATED: 3/13/2025

STANDARD DRAWING No.

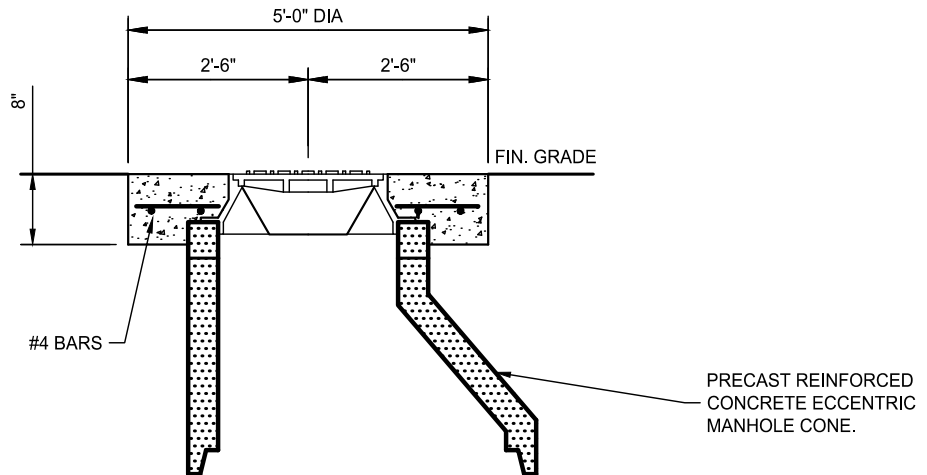
ST-172

APPROVED:

DATE: - BY: --



PLAN



SECTION

NOTES:

1. USE GRADE RINGS AS NECESSARY TO LEVEL AND ADJUST LID AND FRAME TO FINISH GRADE. (1/4" BELOW FINISH GRADE)
2. CONCRETE COLLAR REQ'D FOR MANHOLES WITHIN PAVED STREETS.
3. CONCRETE COLLAR MAY BE EITHER 8" THICK REINFORCED CONCRETE WITH #4 REBAR OR 10" THICK NON-REINFORCED CONCRETE.

DRAWING NOT TO SCALE

PREPARED BY: JONES AND DEMILLE ENGINEERING, INC.

DELTA CITY STANDARD DRAWING



DELTA CITY
76 N 200 W
DELTA, UT 84624
(435) 864-2759
delta.utah.gov

RECONSTRUCT MANHOLE

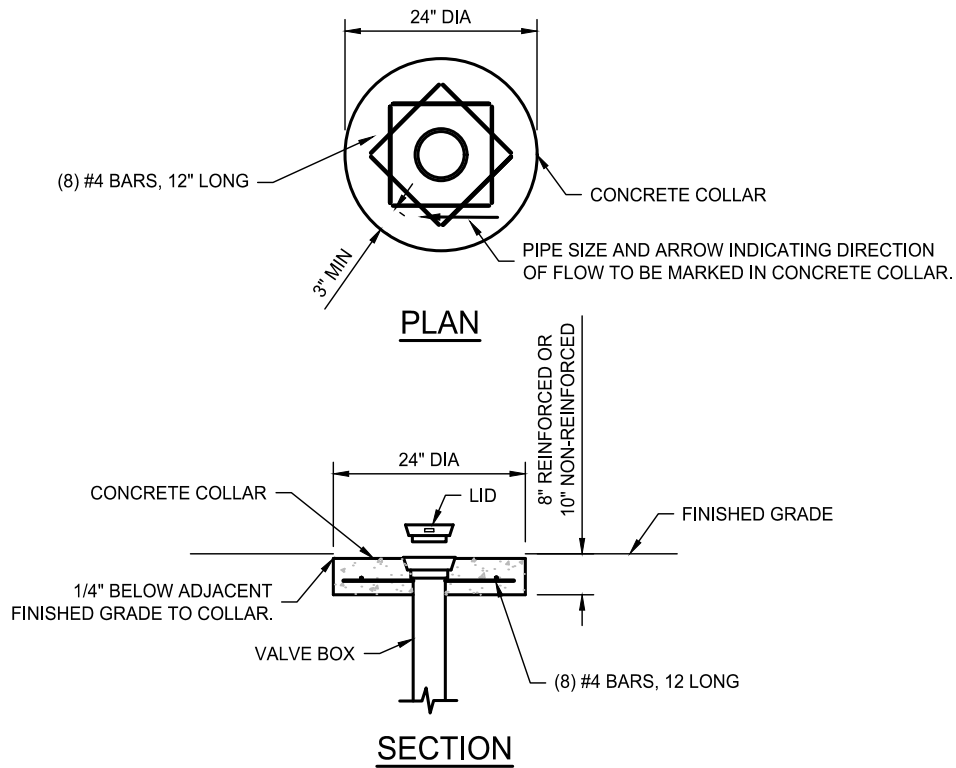
UPDATED: 3/13/2025

STANDARD DRAWING No.

ST-181

APPROVED:

DATE: - BY: --



NOTES:

1. ADJSUT VALVE BOX AND LID TO FINISH GRADE.
(1/4" BELOW FINISH GRADE)
3. CONCRETE COLLAR REQ'D FOR VALVES WITHIN PAVED STREETS.
4. CONCRETE COLLAR MAY BE EITHER 8" THICK REINFORCED CONCRETE WITH #4 REBAR OR 10" THICK NON-REINFORCED CONCRETE.
5. MARK CONCRETE COLLAR WITH PIPE SIZE AND ARROW INDICATING DIRECTION OF FLOW.

DRAWING SCALE: 1" = 2'

PREPARED BY: JONES AND DEMILLE ENGINEERING, INC.

DELTA CITY STANDARD DRAWING



DELTA CITY
76 N 200 W
DELTA, UT 84624
(435) 864-2759
delta.utah.gov

RECONSTRUCT VALVE

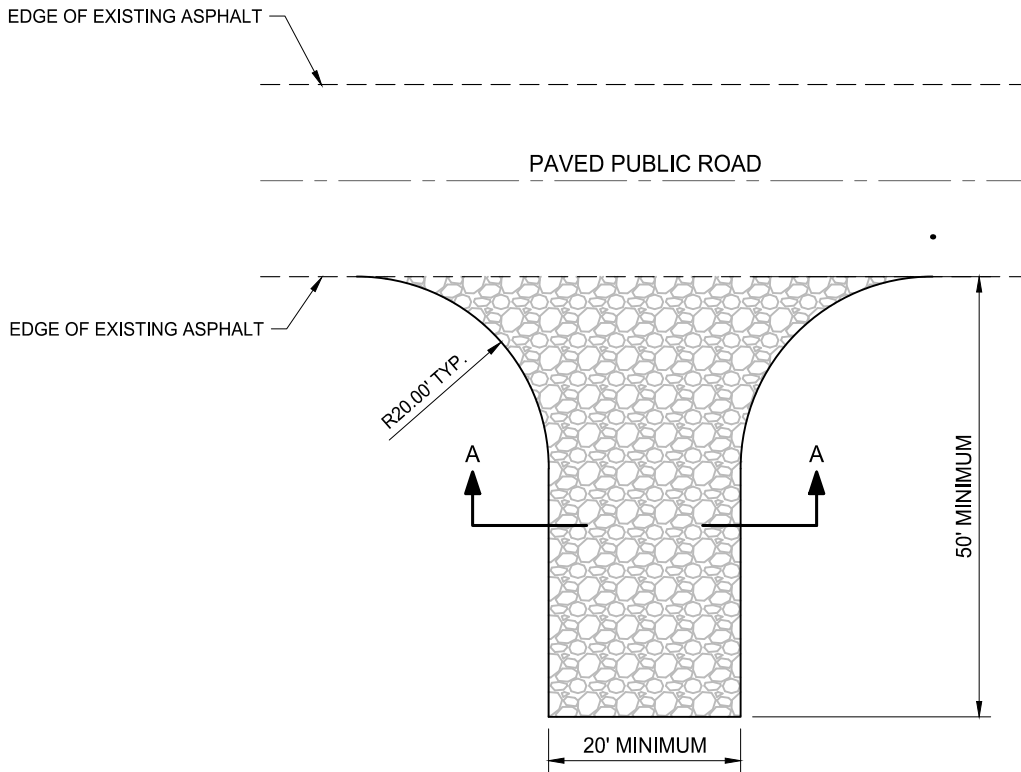
UPDATED: 4/24/2025

STANDARD DRAWING No.

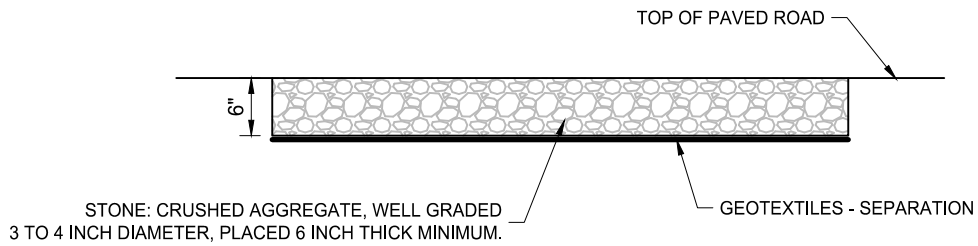
ST-182

APPROVED:

DATE: - BY: --



PLAN



SECTION A - A

DRAWING SCALE: 1" = 20'

PREPARED BY: JONES AND DEMILLE ENGINEERING, INC.

DELTA CITY STANDARD DRAWING



DELTA CITY
76 N 200 W
DELTA, UT 84624
(435) 864-2759
delta.utah.gov

**STABILIZED CONSTRUCTION
ENTRANCE - COMMERCIAL**

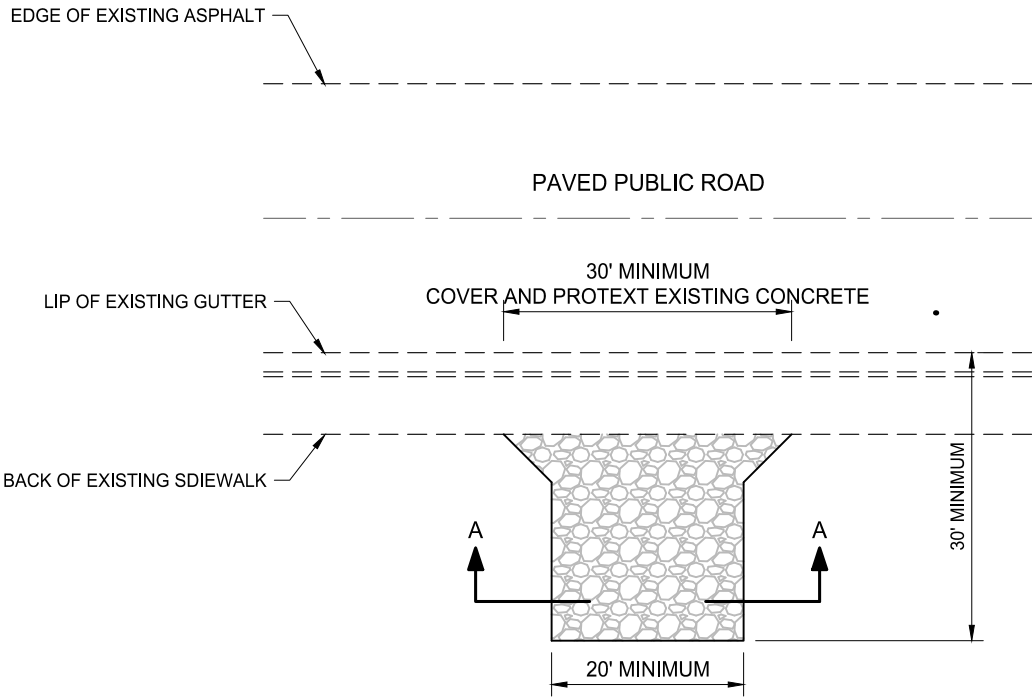
UPDATED: 3/3/2025

STANDARD DRAWING No.

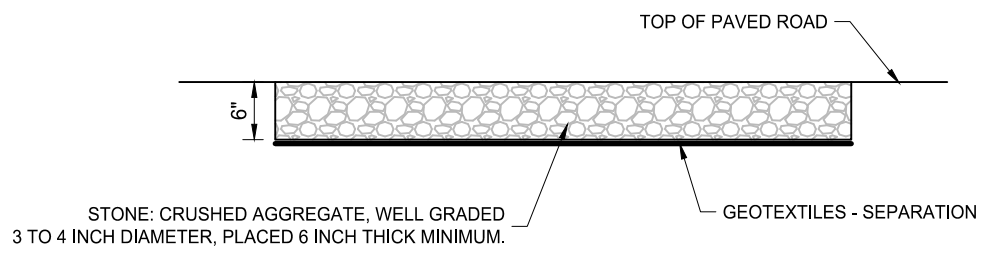
ST-191

APPROVED:

DATE: - BY: --



PLAN



SECTION A - A

DRAWING SCALE: 1" = 20'

PREPARED BY: JONES AND DEMILLE ENGINEERING, INC.

DELTA CITY STANDARD DRAWING

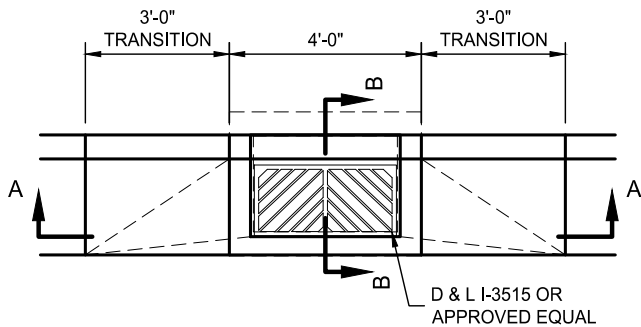


DELTA CITY
76 N 200 W
DELTA, UT 84624
(435) 864-2759
delta.utah.gov

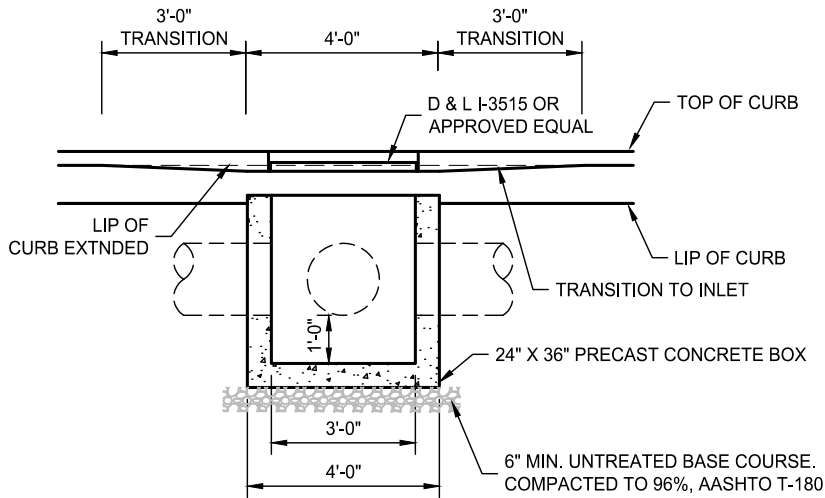
**STABILIZED CONSTRUCTION
ENTRANCE - RESIDENTIAL**

UPDATED: 3/3/2025

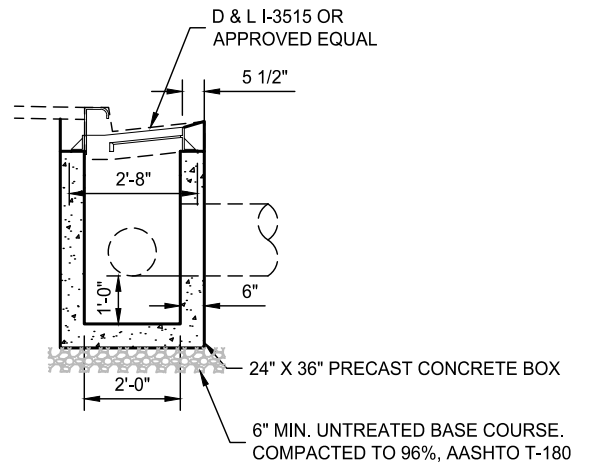
STANDARD DRAWING No.	
ST-192	
APPROVED:	
DATE: -	BY: --



PLAN



SECTION A-A



SECTION B-B

DRAWING SCALE: 1" = 4'

PREPARED BY: JONES AND DEMILLE ENGINEERING, INC.

DELTA CITY STANDARD DRAWING

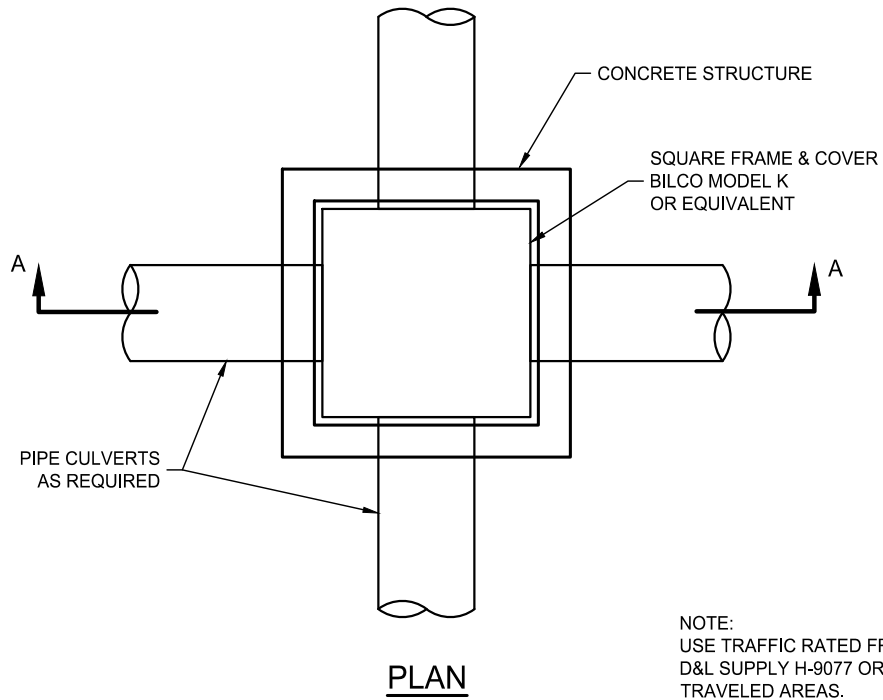
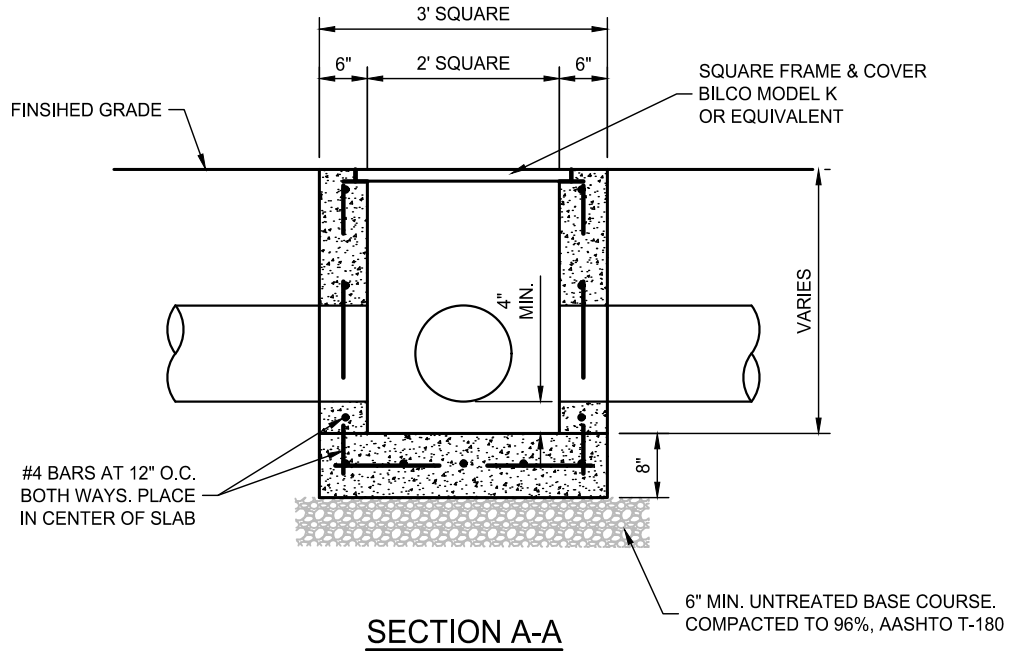


DELTA CITY
76 N 200 W
DELTA, UT 84624
(435) 864-2759
delta.utah.gov

OPEN FACE CURB INLET

UPDATED: 3/3/2025

STANDARD DRAWING No.
SD-101
APPROVED:
DATE: - BY: --



DRAWING SCALE: 1" = 2'

PREPARED BY: JONES AND DEMILLE ENGINEERING, INC.

DELTA CITY STANDARD DRAWING

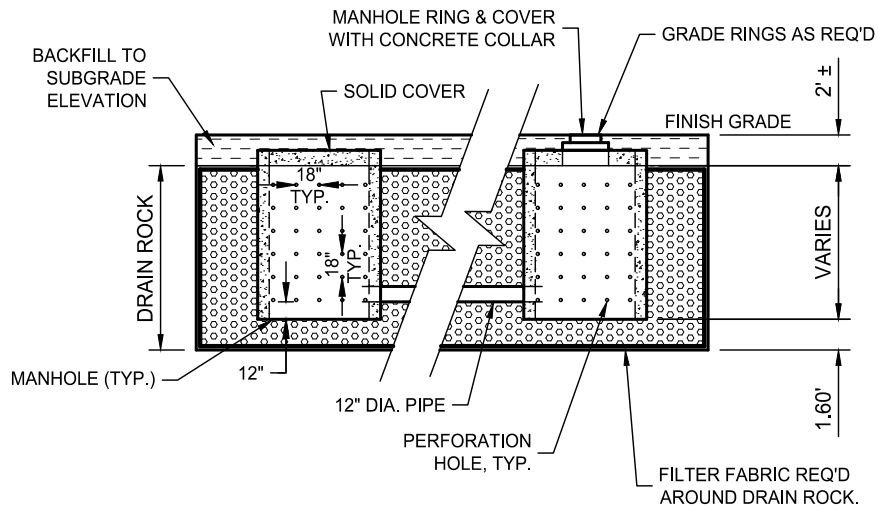


DELTA CITY
76 N 200 W
DELTA, UT 84624
(435) 864-2759
delta.utah.gov

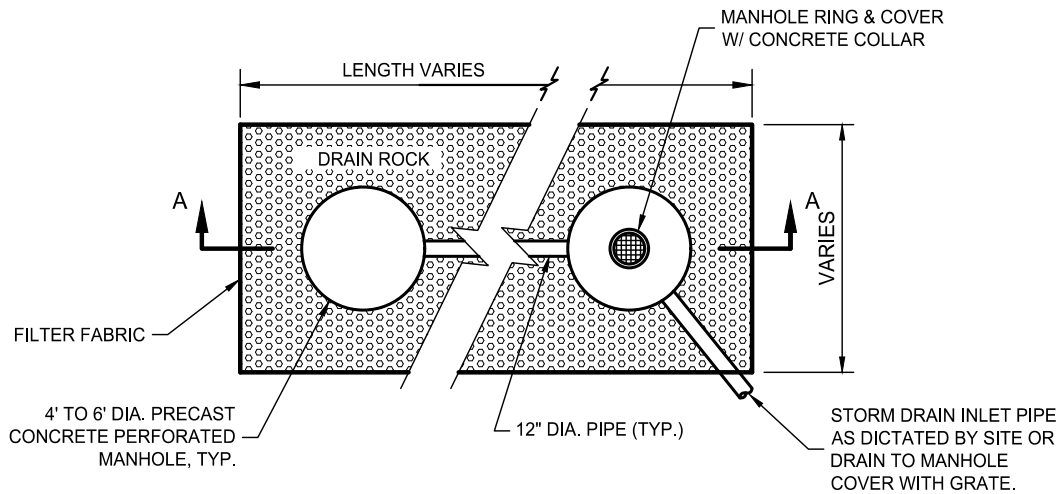
JUNCTION BOX

UPDATED: 3/3/2025

STANDARD DRAWING No.	
SD-102	
APPROVED:	
DATE: -	BY: --



SECTION A - A



PLAN

NOTES:

1. INSTALL RING & COVER ON EACH MANHOLE WITH INLET PIPE.
2. NUMBER OF MANHOLES & SIZE DICTATED BY DRAINAGE AREA.
3. SIZE TO STORE MINIMUM 1 INCH DEPTH OF WATER OVER DRAINAGE AREA. CALCULATION SHOULD INCLUDE APPROPRIATE RUNOFF COEFFICIENT (C). SIZE IS BASED ON A 10 YEAR 2 HOUR STORM EVENT.
4. SEE S-186 FOR CONCRETE COLLAR DETAIL.
5. DRY WELL NOT PERMITTED IN NON-PERMEABLE SOILS OR AREAS WITH HIGH GROUND WATER TABLE.

DRAWING NOT TO SCALE

PREPARED BY: JONES AND DEMILLE ENGINEERING, INC.

DELTA CITY STANDARD DRAWING

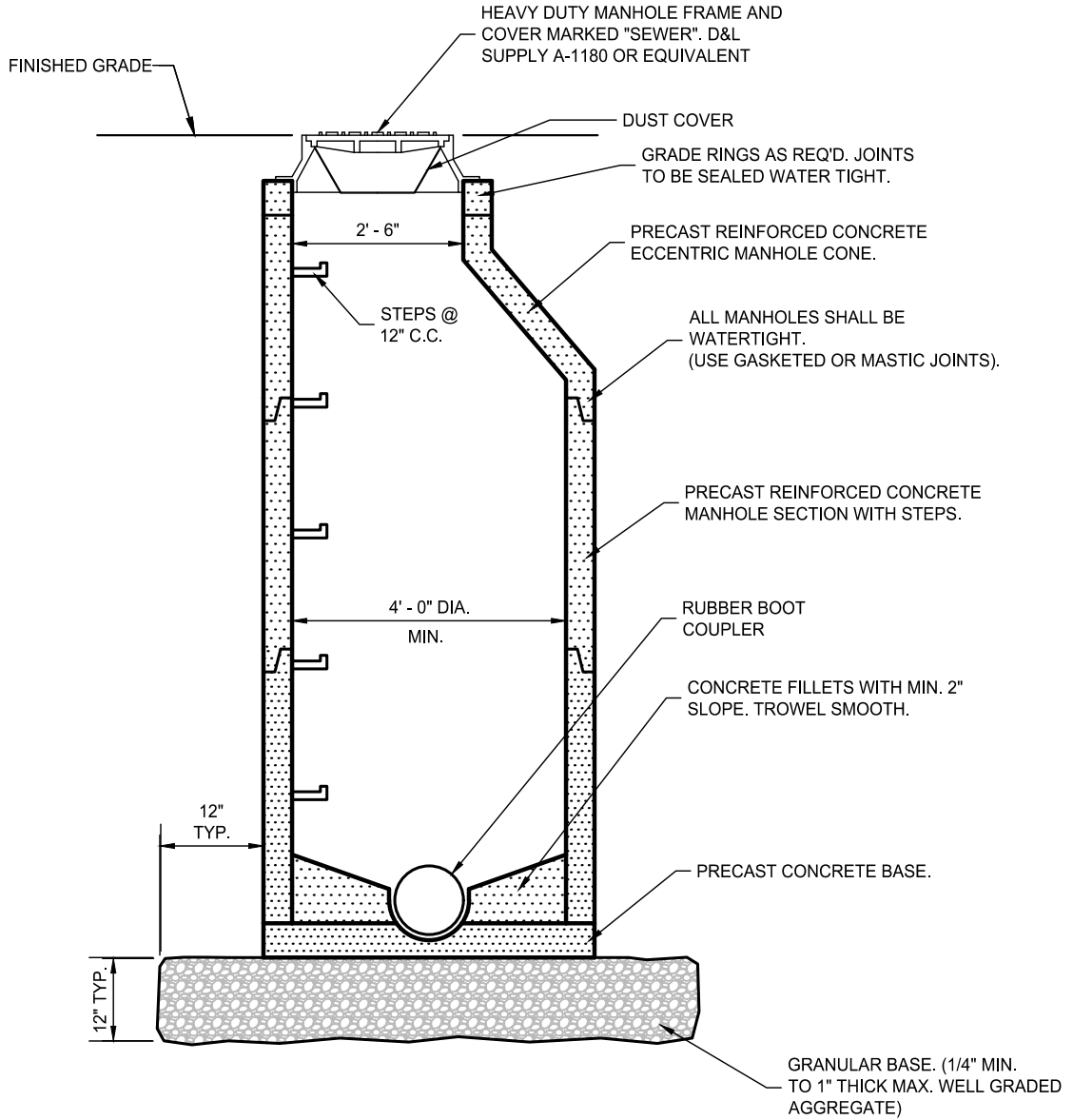


DELTA CITY
76 N 200 W
DELTA, UT 84624
(435) 864-2759
delta.utah.gov

DRY WELL

UPDATED: 3/3/2025

STANDARD DRAWING No.	
SD-104	
APPROVED:	
DATE: --	BY: --



NOTE: WHEN MANHOLE IS WITHIN PAVED STREET, CONSTRUCT CONCRETE COLLAR, SEE ST-181.

DRAWING NOT TO SCALE

PREPARED BY: JONES AND DEMILLE ENGINEERING, INC.

DELTA CITY STANDARD DRAWING

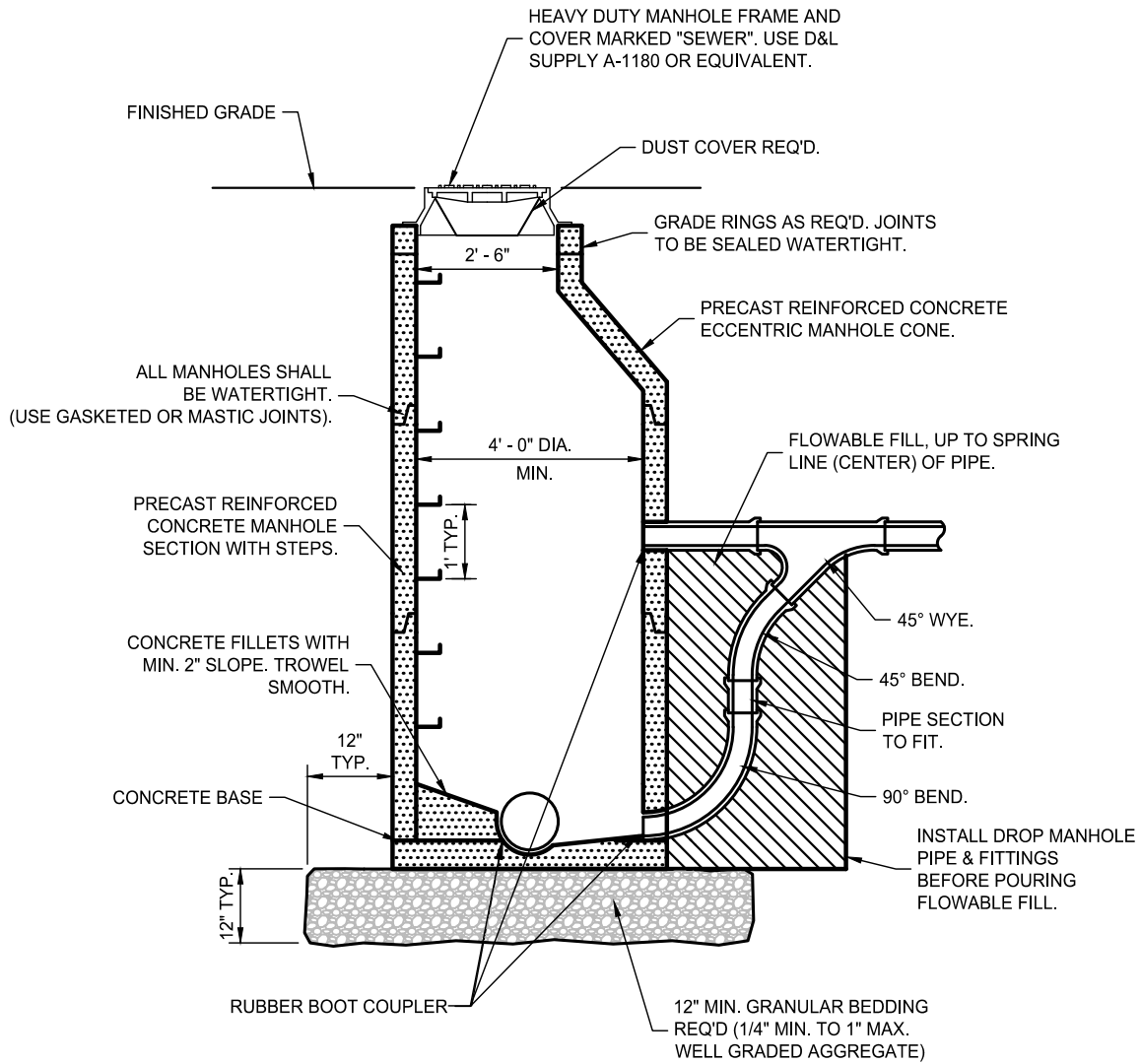


DELTA CITY
 76 N 200 W
 DELTA, UT 84624
 (435) 864-2759
 delta.utah.gov

SEWER MANHOLE

UPDATED: 3/3/2025

STANDARD DRAWING No.
SW-101
APPROVED:
DATE: - BY: --



NOTE: WHEN MANHOLE IS WITHIN PAVED STREET, CONSTRUCT CONCRETE COLLAR, SEE ST-181.

DRAWING NOT TO SCALE

PREPARED BY: JONES AND DEMILLE ENGINEERING, INC.

DELTA CITY STANDARD DRAWING

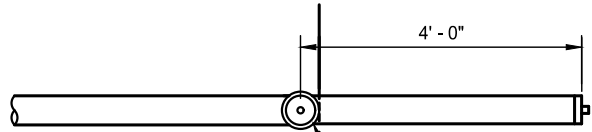
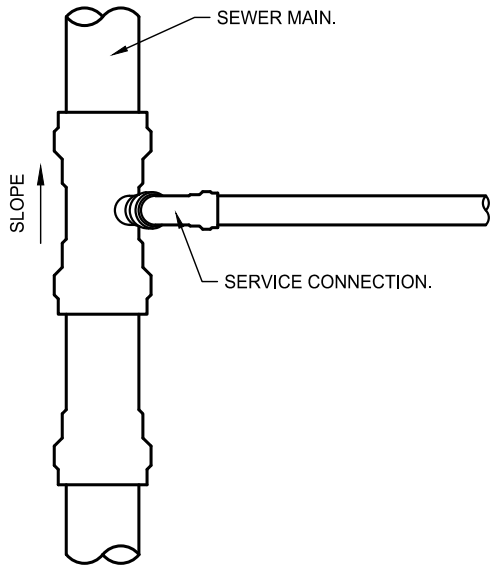


DELTA CITY
76 N 200 W
DELTA, UT 84624
(435) 864-2759
delta.utah.gov

SEWER DROP MANHOLE

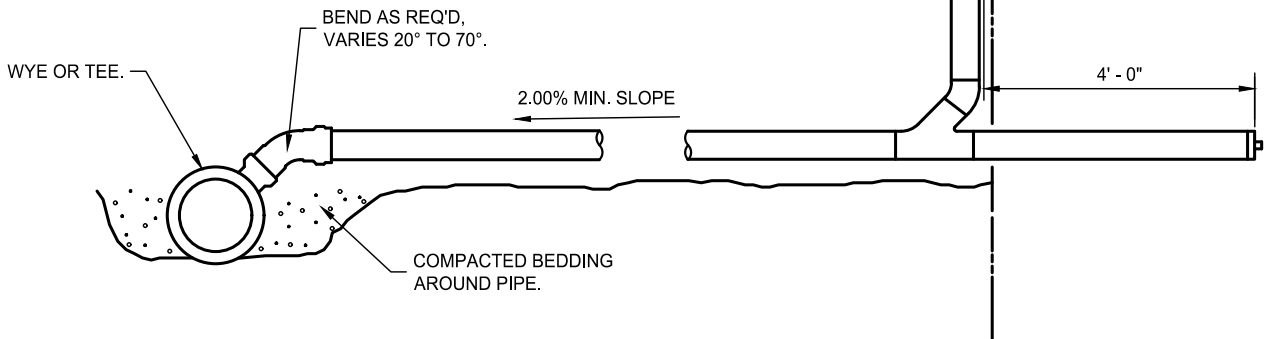
UPDATED: 3/3/2025

STANDARD DRAWING No.	
SW-102	
APPROVED:	
DATE: -	BY: --



PROPERTY LINE.

INSTALL CLEANOUT ON CITY PROPERTY



DRAWING NOT TO SCALE

PREPARED BY: JONES AND DEMILLE ENGINEERING, INC.

DELTA CITY STANDARD DRAWING

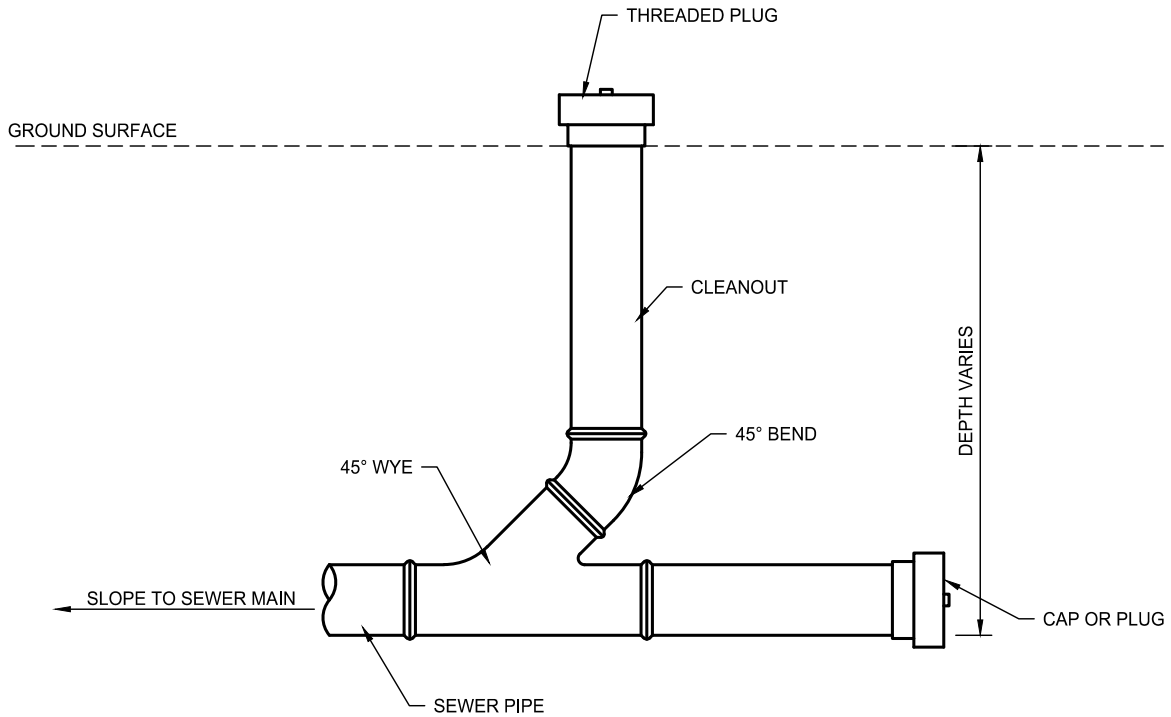


DELTA CITY
76 N 200 W
DELTA, UT 84624
(435) 864-2759
delta.utah.gov

SEWER SERVICE CONNECTION

UPDATED: 3/3/2025

STANDARD DRAWING No.	
SW-103	
APPROVED:	
DATE: -	BY: --



NOTE: MARK COVER "SEWER"

DRAWING NOT TO SCALE

PREPARED BY: JONES AND DEMILLE ENGINEERING, INC.

DELTA CITY STANDARD DRAWING

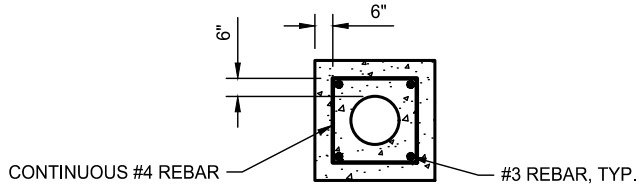


DELTA CITY
 76 N 200 W
 DELTA, UT 84624
 (435) 864-2759
 delta.utah.gov

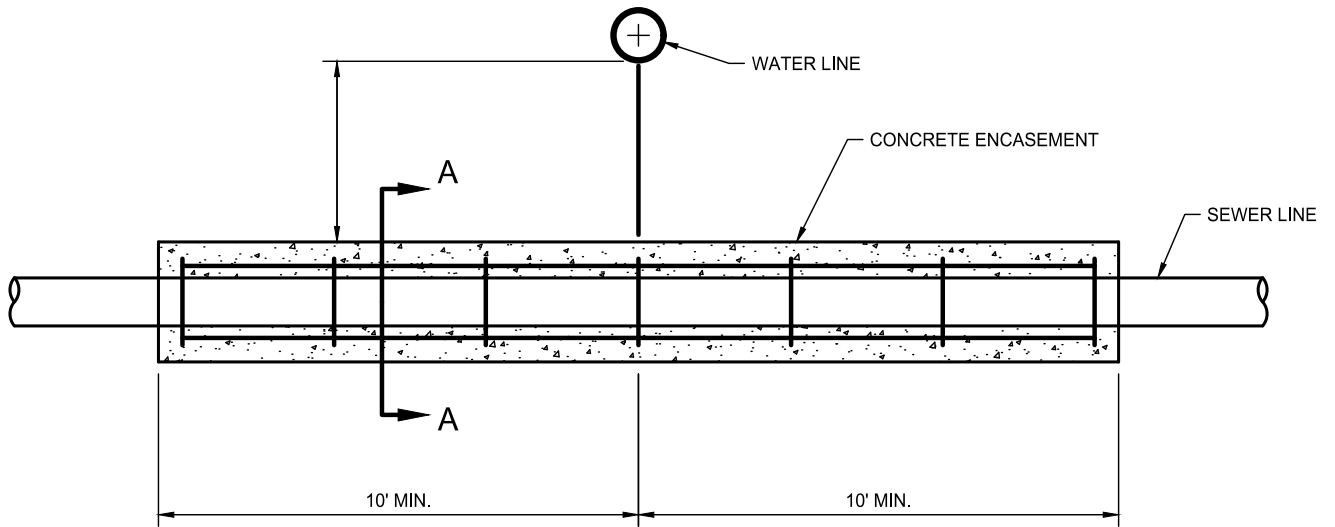
SEWER CLEANOUT

UPDATED: 3/13/2025

STANDARD DRAWING No.	
SW-104	
APPROVED:	
DATE: -	BY: --



SECTION A-A



NOTE:
 CONCRETE ENCASEMENT OR DUCTILE IRON PIPE
 WITH MJ FITTINGS IS REQUIRED WHEN CLEAR
 VERTICAL DISTANCE IS LESS THEN 18" OR IS LESS
 THEN 10' BETWEEN PARALLEL LINES

DRAWING SCALE: 1" = 4'

PREPARED BY: JONES AND DEMILLE ENGINEERING, INC.

DELTA CITY STANDARD DRAWING



DELTA CITY
 76 N 200 W
 DELTA, UT 84624
 (435) 864-2759
 delta.utah.gov

UTILITY LINE CROSSING

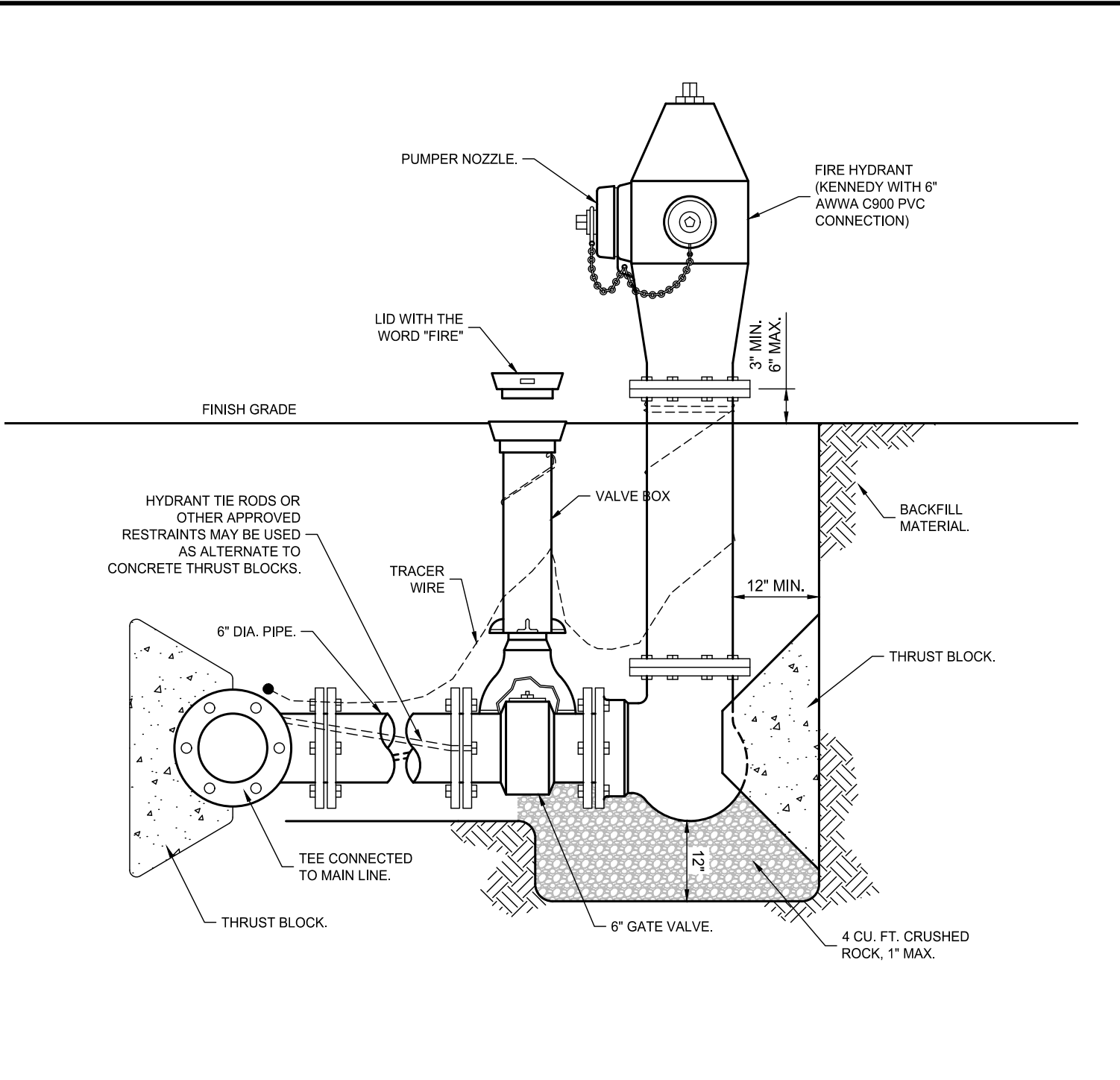
UPDATED: 3/3/2025

STANDARD DRAWING No.

SW-105

APPROVED:

DATE: - BY: --



- NOTES:
1. USE STAINLESS STEEL BOLTS AND WRAP WITH PLASTIC IN AREAS WITH HIGH WATER TABLE OR HIGH SOIL CORROSIVITY.
 2. INSTALL TRACER WIRE WITH PLASTIC PIPE. WRAP TRACER WIRE AROUND FIRE HYDRANT ABOVE GROUND.
 3. OTHER FIRE HYDRANTS REQUIRE APPROVAL OF DELTA CITY PUBLIC WORKS DEPARTMENT.

DRAWING NOT TO SCALE

PREPARED BY: JONES AND DEMILLE ENGINEERING, INC.

DELTA CITY STANDARD DRAWING

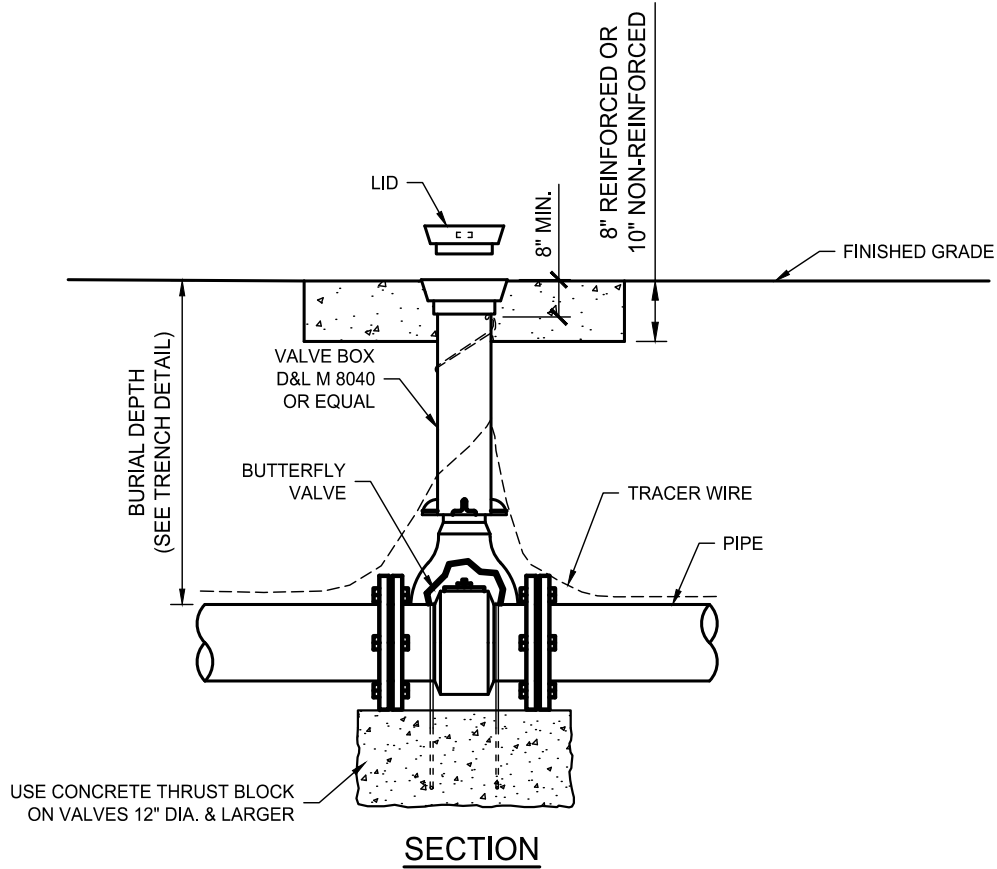
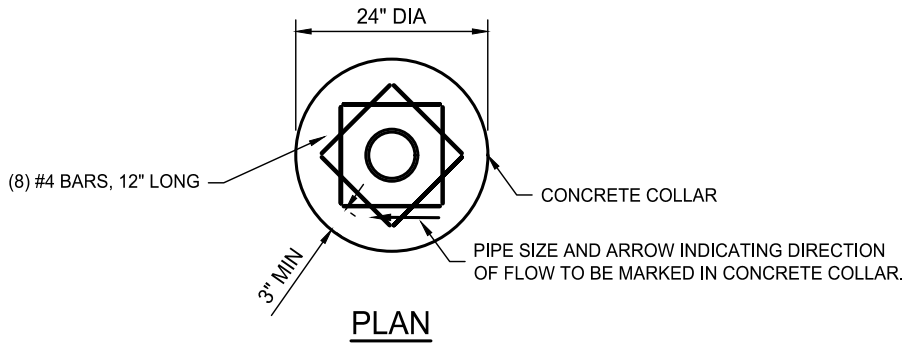


DELTA CITY
 76 N 200 W
 DELTA, UT 84624
 (435) 864-2759
 delta.utah.gov

FIRE HYDRANT

STANDARD DRAWING No.	
CW-101	
APPROVED:	
DATE: --	BY: --

UPDATED: 3/13/2025



NOTE:

1. BUTTERFLY VALVE TO BE USED ON PIPES 12" DIAMETER OR GREATER.
2. USE STAINLESS STEEL BOLTS AND WRAP WITH PLASTIC IN AREAS WITH HIGH WATER TABLE OR HIGH SOIL CORROSIVITY.
3. WHEN VALVE IS WITHIN PAVED STREET OR AS NOTED, CONSTRUCT CONCRETE COLLAR. SEE ST-182.
4. CONCRETE COLLAR MAY BE EITHER 8" THICK REINFORCED CONCRETE WITH #4 REBAR OR 10" THICK NON-REINFORCED CONCRETE.
5. MARK CONCRETE COLLAR WITH PIPE SIZE AND ARROW INDICATING DIRECTION OF FLOW.
6. INSTALL TRACER WIRE WRAP VALVE BOX TWICE AND PUSH THROUGH A CUT HOLE INTO VALVE BOX. 8" BELOW FINISHED GRADE.
7. THRUST BLOCK REQUIRED WHEN NORMAL OPERATING CONDITIONS HAVE AN EMPTY PIPE ON THE SIDE OF THE VALVE.

DRAWING NOT TO SCALE

PREPARED BY: JONES AND DEMILLE ENGINEERING, INC.

DELTA CITY STANDARD DRAWING



DELTA CITY
76 N 200 W
DELTA, UT 84624
(435) 864-2759
delta.utah.gov

BUTTERFLY VALVE

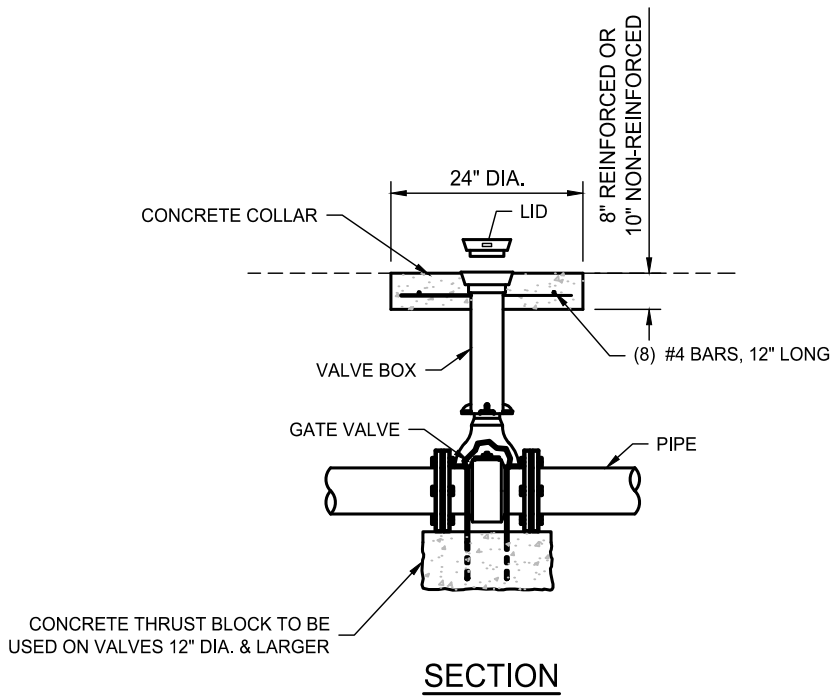
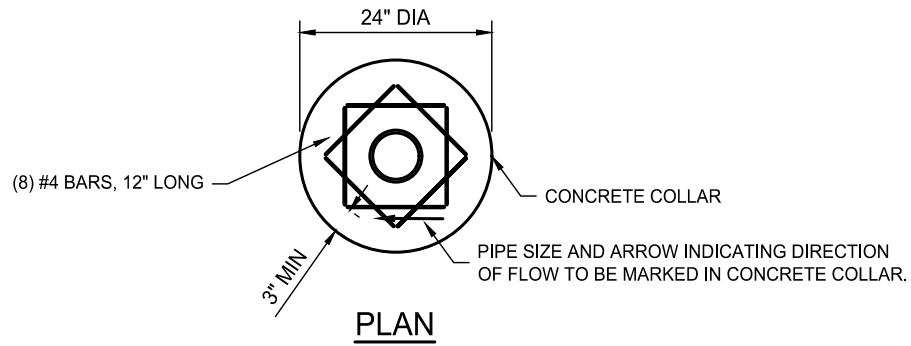
UPDATED: 4/24/2025

STANDARD DRAWING No.

CW-102

APPROVED:

DATE: - BY: --



NOTE:

1. GATE VALVE TO BE USED ON PIPES LESS THAN 12" DIAMETER.
2. USE STAINLESS STEEL BOLTS AND WRAP WITH PLASTIC IN AREAS WITH HIGH WATER TABLE OR HIGH SOIL CORROSIVITY.
3. WHEN VALVE IS WITHIN PAVED STREET OR AS NOTED, CONSTRUCT CONCRETE COLLAR. SEE ST-182.
4. CONCRETE COLLAR MAY BE EITHER 8" THICK REINFORCED CONCRETE WITH #4 REBAR OR 10" THICK NON-REINFORCED CONCRETE.
5. MARK CONCRETE COLLAR WITH PIPE SIZE AND ARROW INDICATING DIRECTION OF FLOW.
6. INSTALL TRACER WIRE WRAP VALVE BOX TWICE AND PUSH THROUGH A CUT HOLE INTO VALVE BOX. 8" BELOW FINISHED GRADE.
7. THRUST BLOCK REQUIRED WHEN NORMAL OPERATING CONDITIONS HAVE AN EMPTY PIPE ON THE SIDE OF THE VALVE.

DRAWING NOT TO SCALE

PREPARED BY: JONES AND DEMILLE ENGINEERING, INC.

DELTA CITY STANDARD DRAWING

GATE VALVE

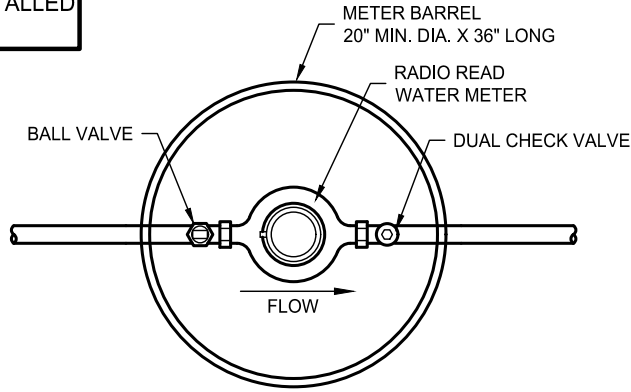


DELTA CITY
76 N 200 W
DELTA, UT 84624
(435) 864-2759
delta.utah.gov

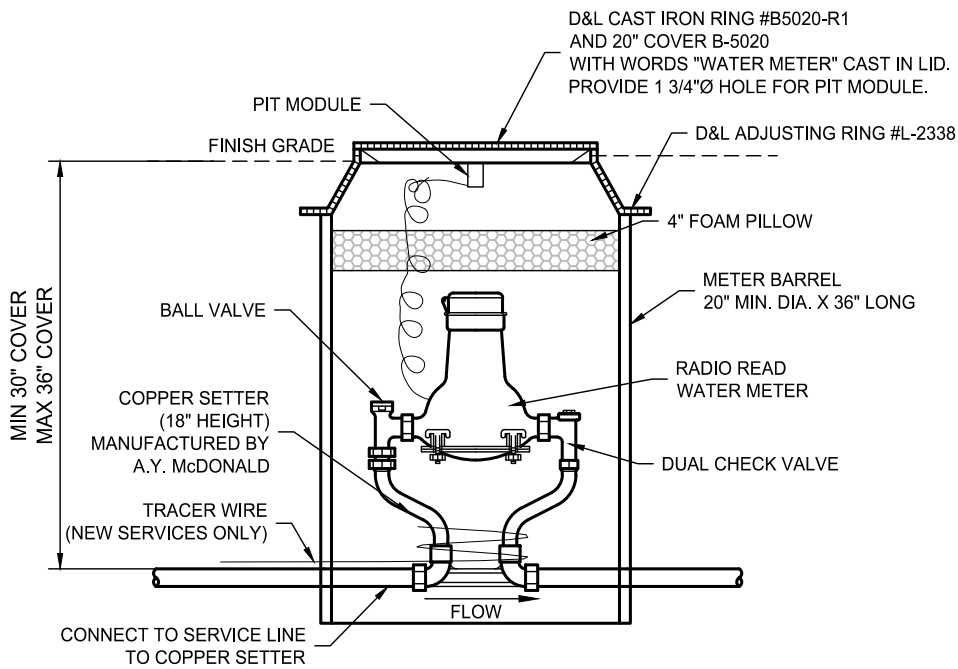
UPDATED: 4/24/2025

STANDARD DRAWING No.	
CW-103	
APPROVED:	
DATE: --	BY: --

METERS FURNISHED AND INSTALLED
BY DELTA CITY



METER PLAN



METER SECTION

(3/4" - 1" WATER METER)

NOTES:

1. INSTALL TRACER WIRE WITH ALL NEW SERVICE LINES.
2. WRAP TRACER WIRE AROUND COPPER SETTER.
3. USE TRAFFIC RATED CONCRETE BARREL AND TRAFFIC RATED LID WHEN METER IS LOCATED IN TRAFFIC AREA, WHICH INCLUDE ROADWAYS, PARKING AREAS AND DRIVEWAYS.
4. 3/4" METERS ARE DEFAULT FOR SINGLE FAMILY RESIDENTIAL.
5. FOAM PILLOW MAY BE NEEDED IN AREAS WHERE WATER MARKERS ARE ABOVE FROST DEPTH.
6. NO GALVANIZED FITTINGS.

DRAWING NOT TO SCALE

PREPARED BY: JONES AND DEMILLE ENGINEERING, INC.

DELTA CITY STANDARD DRAWING



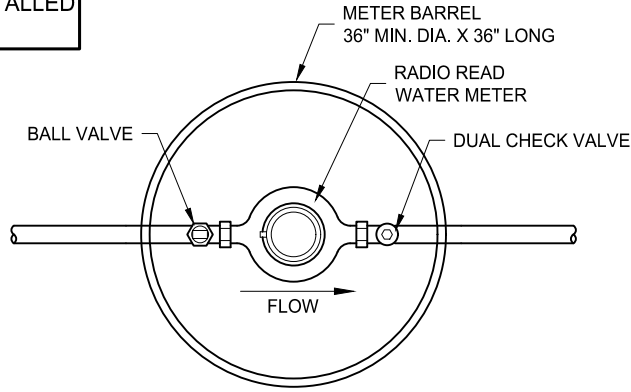
DELTA CITY
76 N 200 W
DELTA, UT 84624
(435) 864-2759
delta.utah.gov

METER BOX, 1" METER

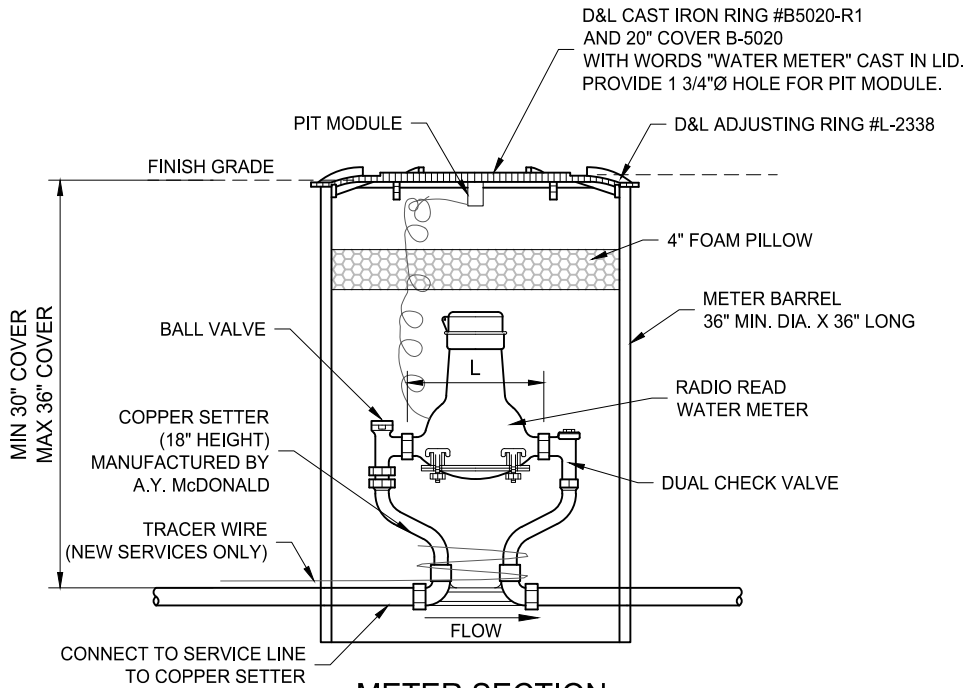
UPDATED: 3/13/2025

STANDARD DRAWING No.
CW-104
APPROVED:
DATE: - BY: --

METERS FURNISHED AND INSTALLED BY DELTA CITY



METER PLAN



METER SECTION

(1 1/2" - 2" WATER METER)

NOTES:

1. INSTALL TRACER WIRE WITH ALL NEW SERVICE LINES.
2. WRAP TRACER WIRE AROUND COPPER SETTER.
3. USE TRAFFIC RATED CONCRETE BARREL AND TRAFFIC RATED LID WHEN METER IS LOCATED IN TRAFFIC AREA, WHICH INCLUDE ROADWAYS, PARKING AREAS AND DRIVEWAYS.
4. METER LENGTH;
 1 1/2" METER: L = 13"
 2" METER: L = 17"
5. FOAM PILLOW MAY BE NEEDED IN AREAS WHERE WATER MARKERS ARE ABOVE FROST DEPTH.
6. NO GALVANIZED FITTINGS ALLOWED.

DRAWING NOT TO SCALE

PREPARED BY: JONES AND DEMILLE ENGINEERING, INC.

DELTA CITY STANDARD DRAWING



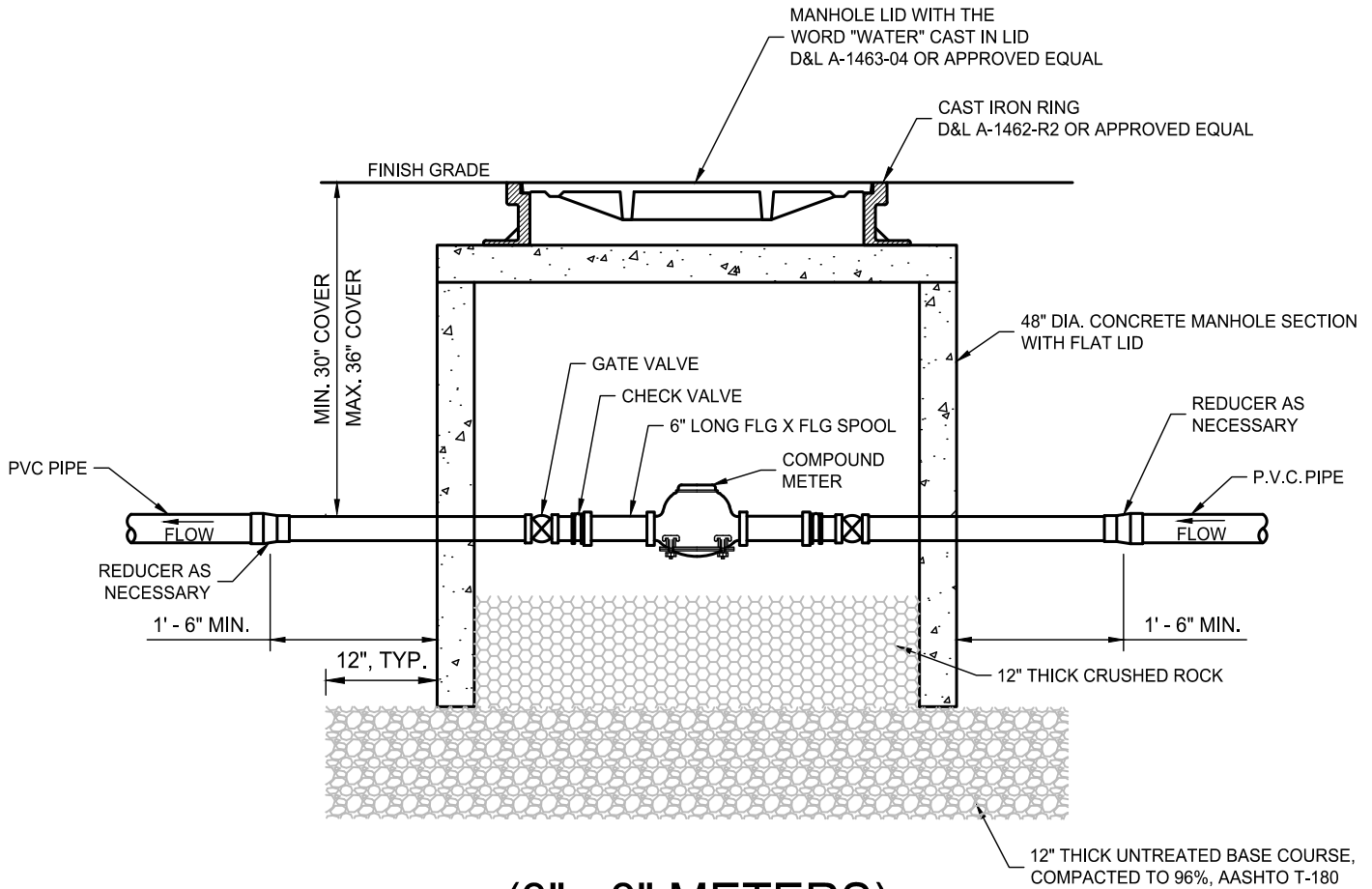
DELTA CITY
 76 N 200 W
 DELTA, UT 84624
 (435) 864-2759
 delta.utah.gov

METER BOX, 1 1/2" - 2" METER

UPDATED: 3/13/2025

STANDARD DRAWING No.	
CW-105	
APPROVED:	
DATE: -	BY: --

METERS FURNISHED AND INSTALLED
BY DELTA CITY.



(3" - 8" METERS)

NOTES:

1. INSTALL TRACER WIRE WITH ALL SERVICE LINES.
2. TERMINATE TRACER WIRE WITH LOOP INSIDE METER BARREL OR BOX.
3. SIZE METER BARREL OR BOX TO FIT METER SIZE AND SITE CONDITIONS.
4. USE TRAFFIC RATED BARREL OR BOX AND TRAFFIC RATED LID WHEN METER IS LOCATED IN TRAFFIC AREA, WHICH INCLUDE ROADWAYS, PARKING AREAS AND DRIVEWAYS.
5. IF METER IS LOCATED IN ASPHALT PAVEMENT MANHOLE CONCRETE COLLAR IS REQUIRED. SEE ST-181.
6. NO GALVANIZED FITTINGS ALLOWED.

DRAWING NOT TO SCALE

PREPARED BY: JONES AND DEMILLE ENGINEERING, INC.

DELTA CITY STANDARD DRAWING



DELTA CITY
76 N 200 W
DELTA, UT 84624
(435) 864-2759
delta.utah.gov

METER BOX, 3" - 8" METER

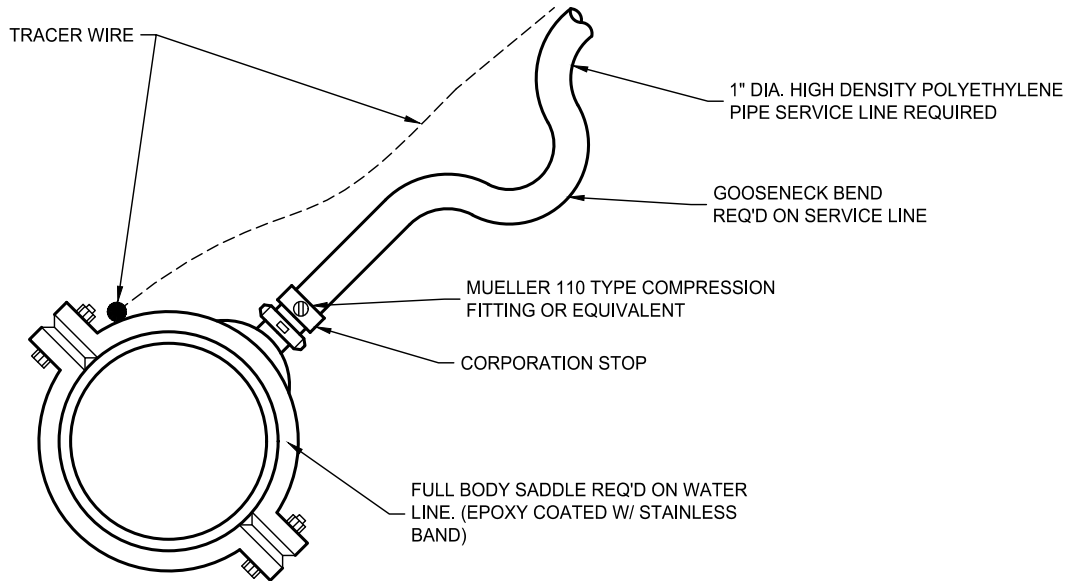
UPDATED: 3/13/2025

STANDARD DRAWING No.

CW-106

APPROVED:

DATE: - BY: --



NOTES:

1. USE STAINLESS STEEL BOLTS AND WRAP WITH PLASTIC IN AREAS WITH HIGH WATER TABLE OR HIGH SOIL CORROSIVITY.
2. INSTALL TRACER WIRE WITH PLASTIC PIPE AND ALL SERVICE LINES.
3. IF SPLICE IS REQUIRED ON TRACER WIRE, MAKE WATERTIGHT CONNECTION.

DRAWING NOT TO SCALE

PREPARED BY: JONES AND DEMILLE ENGINEERING, INC.

DELTA CITY STANDARD DRAWING



DELTA CITY
 76 N 200 W
 DELTA, UT 84624
 (435) 864-2759
 delta.utah.gov

WATER SERVICE CONNECTION

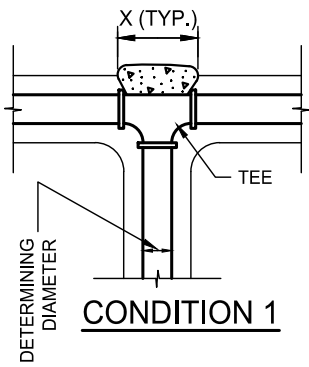
UPDATED: 3/13/2025

STANDARD DRAWING No.

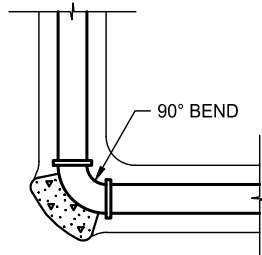
CW-107

APPROVED:

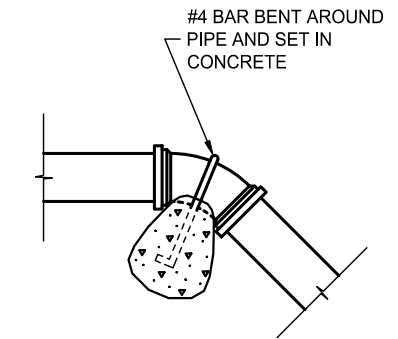
DATE: - BY: --



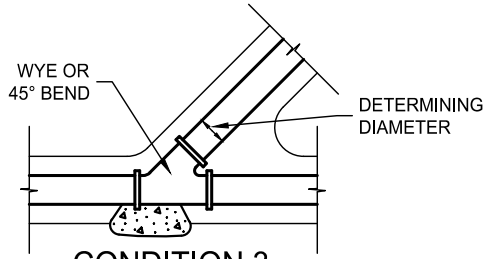
CONDITION 1



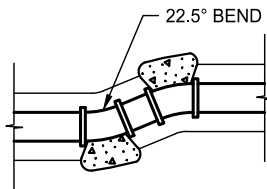
CONDITION 2



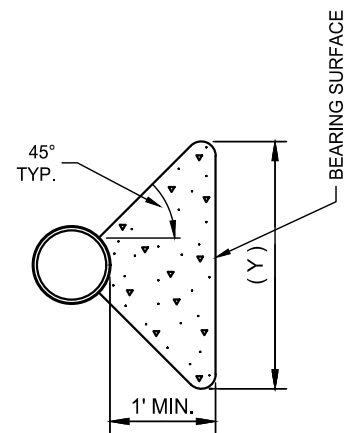
VERTICAL BEND DETAIL



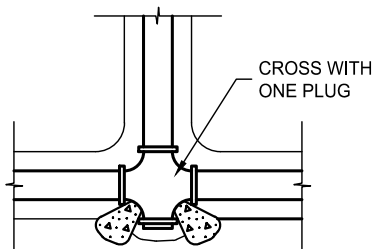
CONDITION 3



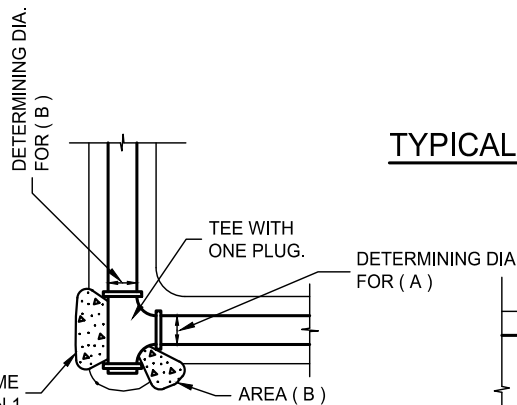
CONDITION 4



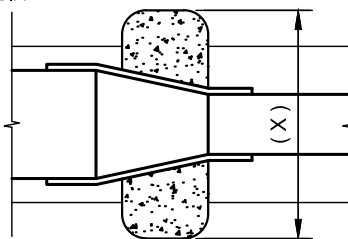
TYPICAL THRUST BLOCK SECTION



CONDITION 5

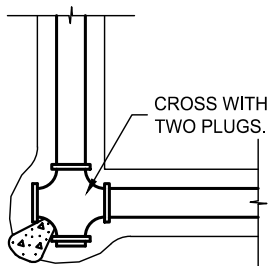


CONDITION 6

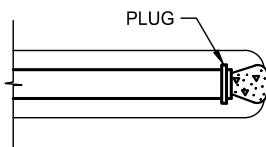


REDUCER THRUST BLOCK

- 8"x 4" REDUCER - BEARING AREA = 7.5 SQ. FT.
- 8"x 6" REDUCER - BEARING AREA = 4.4 SQ. FT.
- 10"x 6" REDUCER - BEARING AREA = 10.0 SQ. FT.
- 10"x 8" REDUCER - BEARING AREA = 5.6 SQ. FT.
- 12"x 6" REDUCER - BEARING AREA = 17.0 SQ. FT.
- 12"x 10" REDUCER - BEARING AREA = 6.9 SQ. FT.



CONDITION 7



CONDITION 8

NOTE: SEE CW-112 FOR THRUST BLOCK BEARING AREAS.

DRAWING NOT TO SCALE

PREPARED BY: JONES AND DEMILLE ENGINEERING, INC.

DELTA CITY STANDARD DRAWING



DELTA CITY
76 N 200 W
DELTA, UT 84624
(435) 864-2759
delta.utah.gov

THRUST BLOCKS

UPDATED: 3/3/2025

STANDARD DRAWING No.

CW-111

APPROVED:

DATE: -- BY: --

CONCRETE THRUST BLOCK BEARING AREA (X) x (Y) (FOR REDUCERS)									
UPSTREAM PIPE SIZE (INCH)	DOWNSTREAM PIPE SIZE (INCH) & WORKING PRESSURE								
	2	4	6	8	10	12	14	16	18
	235 psi	235 psi	235 psi	235 psi	235 psi	235 psi	235 psi	235 psi	235 psi
2		2.2	5.9	11.1	17.7	25.8	35.4	46.5	59.1
4	2.2		3.7	8.9	15.5	23.6	33.2	44.3	56.8
6	5.9	3.7		5.2	11.8	19.9	29.5	40.6	53.2
8	11.1	8.9	5.2		6.6	14.8	24.4	35.4	48.0
10	17.7	15.5	11.8	6.6		8.1	17.7	28.8	41.3
12	25.8	23.6	19.9	14.8	8.1		9.6	20.7	33.2
14	35.4	33.2	29.5	24.4	17.7	9.6		11.1	23.6
16	46.5	44.3	40.6	35.4	28.8	20.7	11.1		12.6
18	59.1	56.8	53.2	48.0	41.3	33.2	23.6	12.6	

BEARING AREAS ARE IN SQUARE FEET.

CONCRETE THRUST BLOCK BEARING AREA (X) x (Y)								
PIPE SIZE (INCH)	CONDITION NUMBER & PIPE WORKING PRESSURE							
	1	2	3	4	5*	6 (B)	7	8
	235 psi	235 psi	235 psi	235 psi	235 psi	235 psi	235 psi	235 psi
2	0.7	1.0	0.6	0.3	0.5	0.5	1.0	0.7
4	3.0	4.2	2.3	1.2	2.1	2.1	4.2	3.0
6	6.6	9.4	5.1	2.6	4.7	4.7	9.4	6.6
8	11.8	16.7	9.0	4.6	8.4	8.4	16.7	11.8
10	18.5	26.1	14.1	7.2	13.1	13.1	26.1	18.5
12	26.6	37.6	20.3	10.4	18.8	18.8	37.6	26.6
14	36.2	51.2	27.7	14.1	25.6	25.6	51.2	36.2
16	47.2	66.8	36.2	18.4	33.4	33.4	66.8	47.2
18	59.8	84.6	45.8	23.3	42.3	42.3	84.6	59.8

BEARING AREAS ARE IN SQUARE FEET.

* AREA APPLIES TO EACH INDIVIDUAL THRUST BLOCK (2 REQ'D).

VERTICAL BEND ANCHOR BLOCK CONCRETE VOLUME			
PIPE SIZE (INCH)	VERTICAL DEFLECTION ANGLE & PIPE WORKING PRESSURE		
	11.25°	22.5°	45.°
	235 psi	235 psi	235 psi
2	0.04	0.07	0.14
4	0.14	0.28	0.56
6	0.32	0.64	1.26
8	0.57	1.14	2.23
10	0.89	1.78	3.49
12	1.29	2.56	5.02
14	1.75	3.49	6.84
16	2.29	4.55	8.93
18	2.89	5.76	11.30

VOLUMES ARE IN CUBIC YDS.

VERTICAL BEND ANCHOR BLOCK

NOTES:

- DESIGN FOR 235 PSI.
- MAINTAIN MIN. 3 INCHES OF COVER AROUND REBAR.
- MAINTAIN MIN. 6 INCHES SEPARATION BETWEEN REBAR.
- USE (1) # 4 BAR FOR PIPE SIZES UP TO 8 INCHES. MIN. EMBEDMENT DEPTH (L_{dn}): 12 INCHES.
- USE (2) # 4 BARS FOR PIPE SIZES 10 INCHES THROUGH 12 INCHES. MIN. EMBEDMENT DEPTH (L_{dn}): 12 INCHES.
- USE (2) # 5 BARS FOR PIPE SIZES 14 INCHES THROUGH 16 INCHES. MIN. EMBEDMENT DEPTH (L_{dn}): 15 INCHES.
- USE (2) # 6 BARS FOR PIPE SIZES 18 INCHES. MIN. EMBEDMENT DEPTH (L_{dn}): 18 INCHES.

NOTES:

- PLACE THRUST BLOCKS WITH BEARING SURFACE AGAINST UNDISTURBED EARTH OR COMPACTED FILL.
- USE CONCRETE WITH 2,500 PSI OR HIGHER 28 DAY COMPRESSIVE STRENGTH.
- FORM THRUST BLOCK SIDES.
- DESIGN FOR ALLOWABLE SOIL BEARING PRESSURE OF 1,000 PSF.
- PROVIDE RATIO OF "X" TO "Y" (THRUST BLOCK AREA) NO GREATER THAN 3:1.
- ALLOW MINIMUM 3 DAYS CURE TIME FOR CONCRETE PRIOR TO PRESSURIZING SYSTEM.
- FORM THRUST BLOCKS WITHOUT INTERFERING WITH NUTS & BOLTS OF FITTINGS.
- SEE PIPE CONDITIONS ON SHEET CW-111.
- MECHANICAL JOINT RESTRAINTS MAY BE USED AS ALTERNATE TO CONCRETE THRUST BLOCKS, SEE SHEET CW-113.
- GREASE AND WRAP BOLTED CONNECTIONS, FITTINGS, AND VALVES IN AREAS OF HIGH SOIL CORROSIVITY.
- USE STAINLESS STILL BOLTS IN AREAS WITH HIGH WATER TABLE
- INSTALL CONCRETE THRUST BLOCK ON FITTINGS AND MECHANICAL JOINT RESTRAINT ON EACH JOINT OF FITTINGS.

NO SCALE

PREPARED BY: JONES AND DEMILLE ENGINEERING, INC.

DELTA CITY STANDARD DRAWING



DELTA CITY
76 N 200 W
DELTA, UT 84624
(435) 864-2759
delta.utah.gov

THRUST BLOCKS BEARING CHART

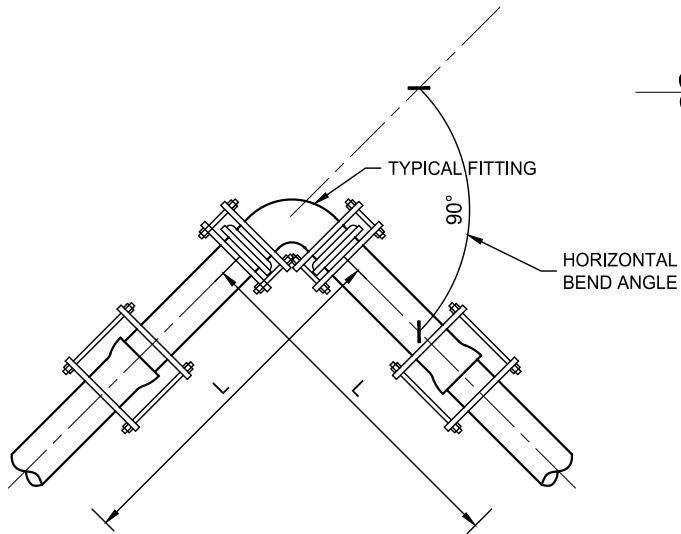
UPDATED: 3/3/2025

STANDARD DRAWING No.

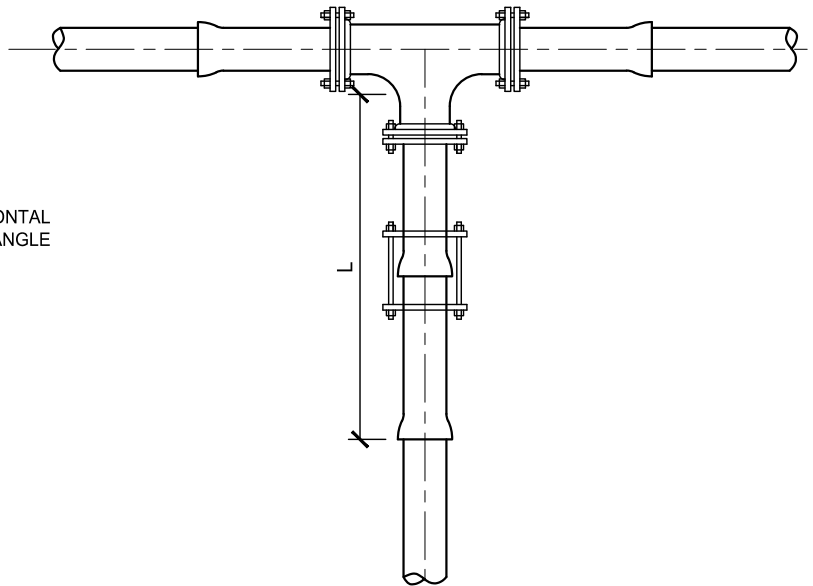
CW-112

APPROVED:

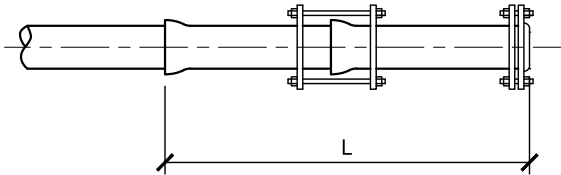
DATE: - BY: --



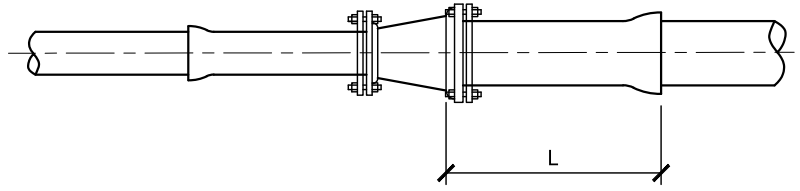
HORIZONTAL BEND



TEE



DEAD END



REDUCER

NOTES:

1. RESTRAIN ALL JOINTS WITHIN DISTANCE "L".
2. PROVIDE RESTRAINED JOINTS ON FITTING.
3. DISTANCE REQUIRED FOR JOINT RESTRAINTS DEPENDS ON FITTING TYPE, SOIL TYPE AND WORKING PRESSURE.
4. DESIGN CRITERIA:
 - a. WORKING PRESSURE: 235 p.s.i.
 - b. SAFETY FACTOR: 1.5
 - c. SOIL TYPE: CLAY
 - d. DEPTH OF COVER (TOP OF PIPE): 4'
 - e. PIPE TYPE: PVC
 - f. TRENCH TYPE: 5
5. PROVIDE DISTANCE "L" REQUIRED FOR JOINT RESTRAINTS IN ACCORDANCE WITH MANUFACTURER'S RECOMMENDATIONS, OR BY MINIMUM LISTED IN TABLES ON THIS SHEET.
6. FOR OTHER FITTINGS, CONTACT ENGINEER.
7. USE STAINLESS STEEL BOLTS REQUIRED IN AREAS WITH HIGH WATER TABLE.
8. USE RELATED SPEC SECTION 33 14 12. WATER UTILITY SYSTEM SPECIFICATION.
9. IF CONTRACTOR WANTS TO CHANGE RESTRAINT LENGTHS, ENGINEER NEEDS SUBMITTAL FROM MANUFACTURER.
10. GREASE AND WRAP BOLTED CONNECTIONS, FITTINGS, AND VALVES IN AREAS OF HIGH SOIL CORROSIVITY.

DRAWING NOT TO SCALE

PREPARED BY: JONES AND DEMILLE ENGINEERING, INC.

DELTA CITY STANDARD DRAWING



DELTA CITY
76 N 200 W
DELTA, UT 84624
(435) 864-2759
delta.utah.gov

TYPICAL RESTRAINED JOINTS

UPDATED: 3/3/2025

STANDARD DRAWING No.	
CW-113	
APPROVED:	
DATE: -	BY: --

RESTRAINT LENGTH (L) FOR HOR. BENDS					
PIPE SIZE (INCH)	PIPE BEND ANGLE & PIPE WORKING PRESSURE				
	HOR. BEND (90°)	HOR. BEND (45°)	HOR. BEND (22.5°)	HOR. BEND (11.25°)	DEAD END
	200 psi	200 psi	200 psi	200 psi	200 psi
2	6	3	2	1	13
4	13	6	3	2	29
6	18	8	4	2	42
8	23	10	5	3	54
10	28	12	6	3	67
12	33	14	7	4	79
14	38	16	8	4	91
16	43	18	9	5	102
18	47	20	10	5	114

RESTRAINT LENGTH IN FEET.

RESTRAINT LENGTH (L) FOR TEES									
BRANCH PIPE SIZE (INCH)	NOMINAL PIPE SIZE ALONG RUN (INCH) PIPE WORKING PRESSURE								
	2	4	6	8	10	12	14	16	18
	200 psi	200 psi	200 psi	200 psi	200 psi	200 psi	200 psi	200 psi	200 psi
2	0	0	0	0	0	0	0	0	0
4	21	10	1	0	0	0	0	0	0
6	37	29	23	17	10	4	0	0	0
8	50	44	39	34	29	25	19	14	9
10	63	59	55	51	47	43	39	35	31
12	76	72	68	65	62	59	55	52	48
14	88	85	82	79	77	74	71	68	65
16	100	97	95	92	90	87	85	82	79
18	113	110	108	106	103	101	99	97	94

RESTRAINT LENGTH IN FEET.

RESTRAINED LENGTH (L) FOR REDUCERS									
SMALLER PIPE SIZE (INCH)	LARGER PIPE SIZE (INCH) & WORKING PRESSURE								
	2	4	6	8	10	12	14	16	18
	200 psi	200 psi	200 psi	200 psi	200 psi	200 psi	200 psi	200 psi	200 psi
2		24	39	52	65	77	89	101	113
4			22	39	55	68	82	95	108
6				22	41	57	72	86	100
8					24	42	60	75	90
10						23	43	60	77
12							24	44	63
14								23	44
16									24
18									

CALCULATED RESTRAINT LENGTH IN FEET.

RESTRAINED LENGTH OCCURS ON LARGE END OF REDUCER.

NO SCALE

PREPARED BY: JONES AND DEMILLE ENGINEERING, INC.

DELTA CITY STANDARD DRAWING



DELTA CITY
76 N 200 W
DELTA, UT 84624
(435) 864-2759
delta.utah.gov

RESTRAINED JOINTS LENGTH TABLES

UPDATED: 3/3/2025

STANDARD DRAWING No.

CW-114

APPROVED:

DATE: -- BY: --

EXHIBIT B

18.72.160 MANUAL OF STANDARD SPECIFICATIONS

A certain document, a copy of which is on file in the Office of the City Recorder, being marked and designated as the 2017 edition of the Manual of Standard Specifications published by the Utah Chapter of the American Public Works Association (APWA) as amended by ordinance, is hereby adopted as the Delta City Construction Standards of Delta City, in the State of Utah. (Ord. 25-317, DATE).

18.72.160 DELTA CITY STANDARD DRAWINGS

A certain document, a copy of which is on file in the Office of the City Recorder, being marked and designated as Delta City Standard Drawings, is hereby adopted as the Delta City Construction Standards of Delta City, in the State of Utah. (Ord. 25-317, DATE).